



Replacement Pump Head Service Kit

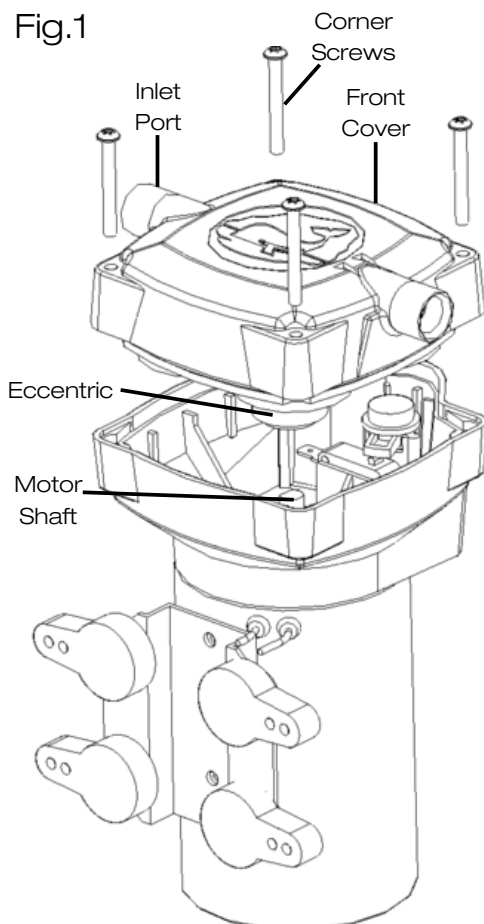
Universal Service Kit - AK1316

Smartflo Service Kit - AK1318

Agri-Pump Head Service Kit - AK1322

1. Drain system of water (switch off power) remove the four feet mounting screws, disconnect pipework and place pump upright resting on the back of the motor body (see Fig.1).
2. Unscrew four corner screws and remove front cover assembly by pulling it out of its housing. (This means gripping the two ports and pulling). Check the pressure switch plunger and plunger cap are still located in the recess and the plunger arm is positioned over the slot in spring housing (see Fig.2).
3. Align the 'D' shaped centre hole of the eccentric with the 'D' shaped motor shaft. Do not apply excess force as this may cause plunger to move and the switch will fail.
4. Locate and tighten four corner screws - Do not over tighten.
5. Re-connect the pipework, secure the four mounting feet back into position, switch on the power and check for proper operation.

Fig.1



For AK1322 (Head Service Kit)

Removing the front cover from the diaphragm and valve assembly:

Unscrew the centre screw accessed through the centre hole of the eccentric with a pozidrive screwdriver. This will release the front cover.

Fig.2

