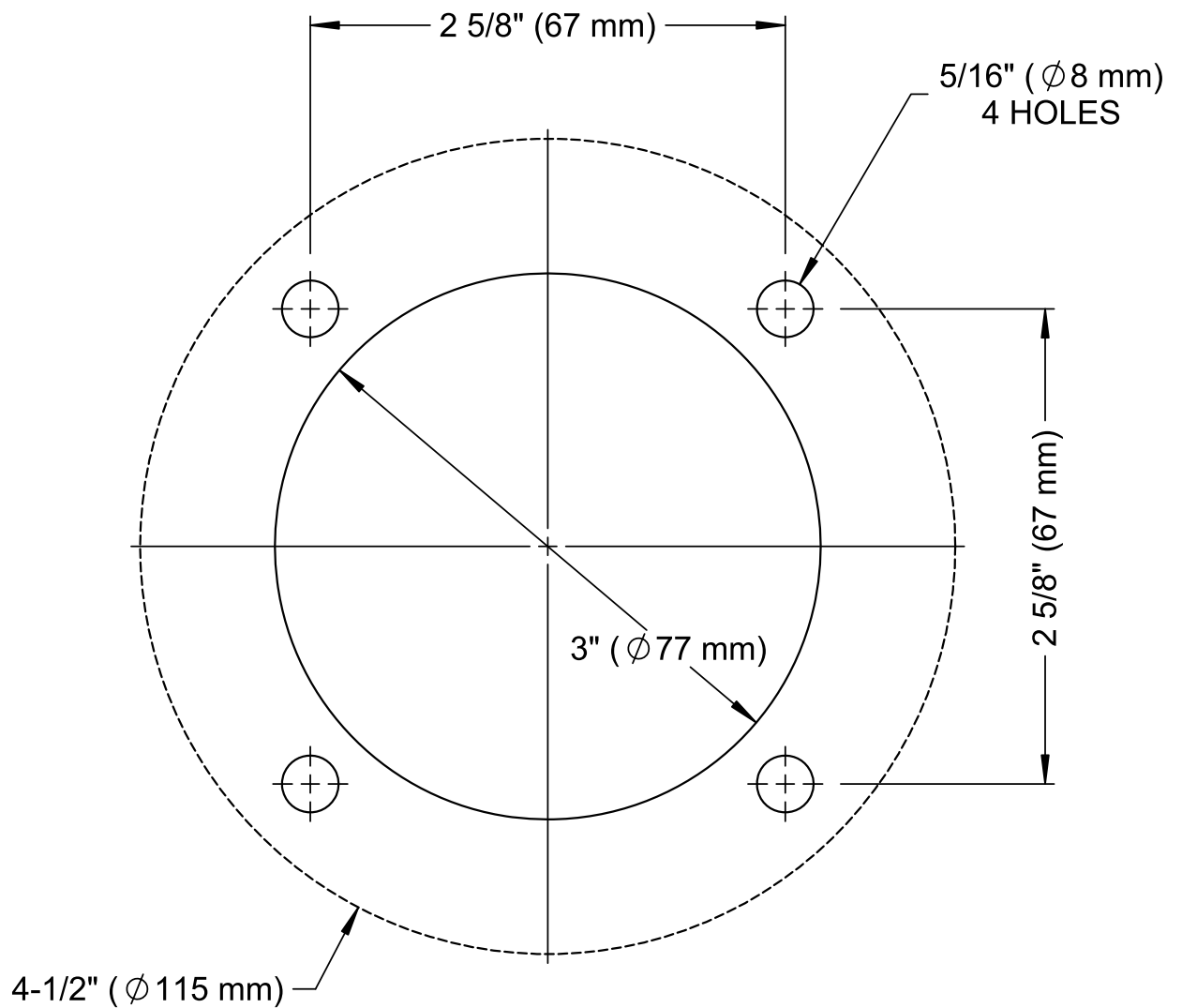


## HELM MOUNTING TEMPLATE

MULTISTEER HELM PUMP

PART # HP-27



SCALE 1:1

All Dimensions are in mm.

