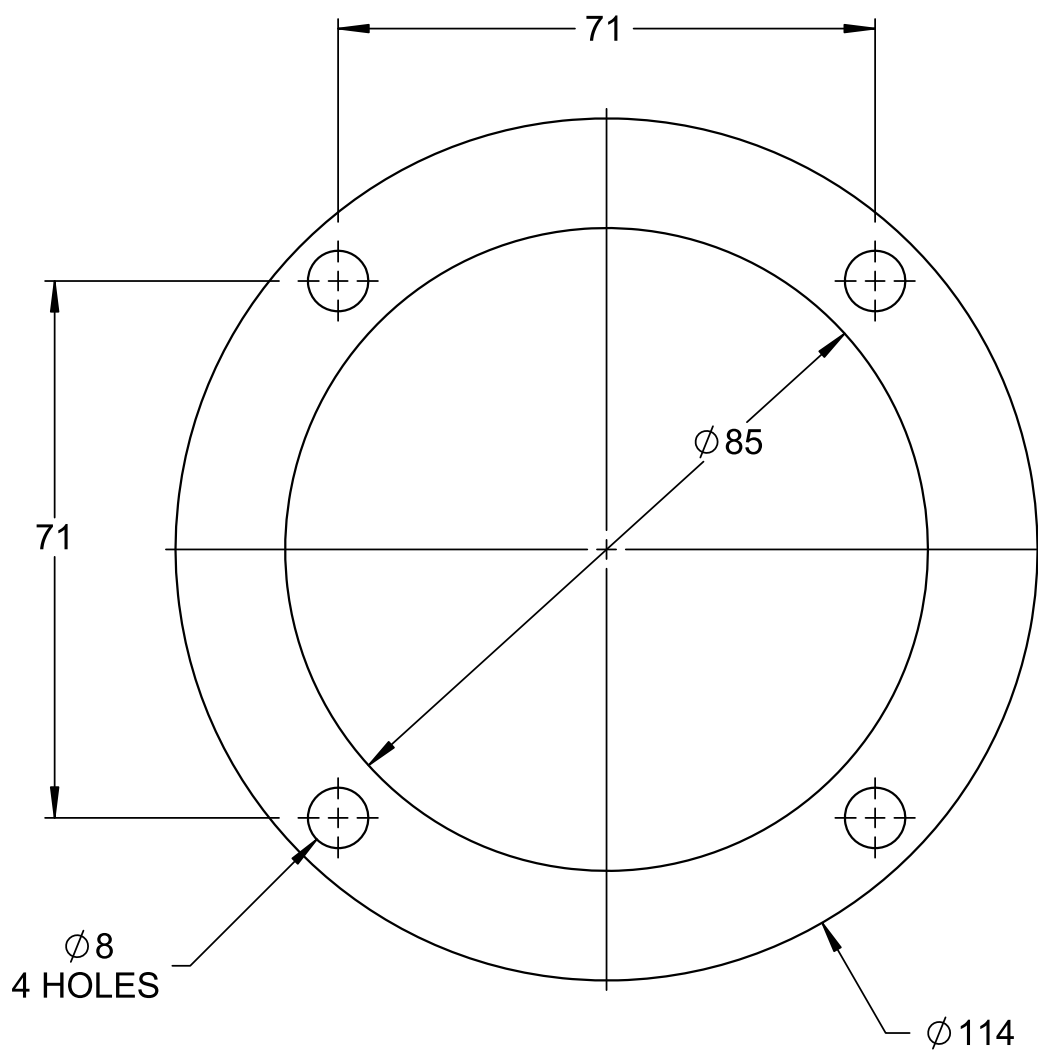


HELM MOUNTING TEMPLATE

MULTISTEER HELM PUMP

PART # HP-20



SCALE 1:1

All Dimensions are in mm.

