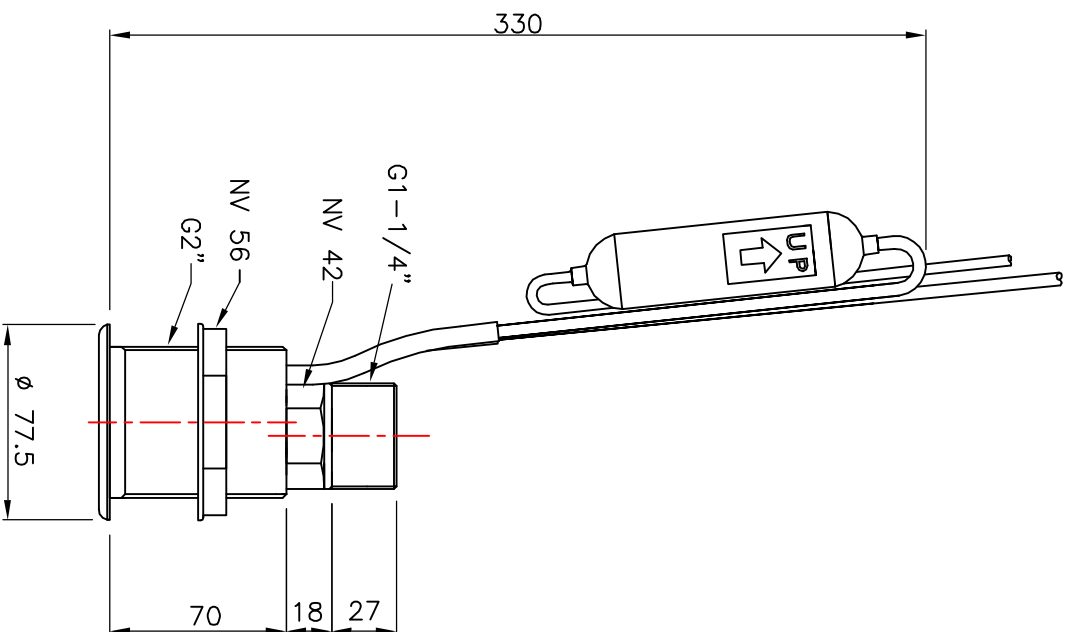


Kan reduceras genom att böja ner rören och filtret, till ca. 45°.

Can be reduced by bending the tubes and filter-dryer aside to abt. 45°.



Isotherm SP through hull fitting

Designated by	Quantity	Title/Name, designation, material, dimension etc	Article No./Reference
Designed by		Checked by	
		Approved by - date	
Drawn		Title/Name	Date
			970727/LLG
		Ordering number	Scale
		000397	
		2	Sheet

Thermoprodukter AB
Kalmar

SP bordgenomföring

RevNo/Revision note

Date

Signature Checked