

Read me  
FIRST

[www.CookWithKenyon.com](http://www.CookWithKenyon.com)

**KENYON<sup>®</sup>**

*Make any day a weekend*

SINGLE ZONE GRILLS WITH INTELLIKEN TOUCH™  
**OWNERS MANUAL**

Part # 145439  
Created: April 10, 2018

# Contents

---

<b>IMPORTANT SAFETY INSTRUCTIONS</b> .....	3
<b>Product Specifications</b> .....	5
<b>Before Using the Grill</b>	
Quick Start Tips.....	9
Stuffed French Toast.....	10
<b>Operation</b>	
Indicator Lights.....	12
Turning On.....	12
Safety Lock Feature.....	12
Cooking Mode Options.....	12
Heat Level Cooking Mode.....	13
Temperature Cooking Mode.....	13
Changing Temperature Units.....	13
Timer Options.....	14
Automatic Shut-Off Time.....	15
Temperature Guide.....	15
Error Code Readout.....	16
Power Cord.....	17
Grill Parts.....	18
Lid Removal.....	19
<b>Installation</b>	
Unpacking the Grill.....	20
Check Electrical Supply Requirements.....	20
Countertop Preparation.....	21
Drain Connection.....	22
Outlet Location.....	23
Final Preparations Prior to Use.....	23
<b>Warranty</b> .....	24

## Please read & save these instructions

---

Thank you for choosing **Kenyon**, the world's leading manufacturer of specialty cooking appliances. By following the instructions in this owners manual, your grill will provide you with many years of reliable service.

To ensure our ability to continue serving you, please use this page to record important product information.

### For quick reference please keep a record here:

---

Purchase date

---

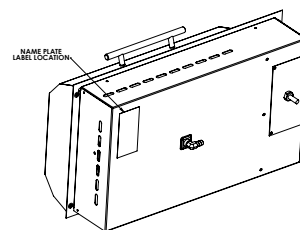
Model number

---

Serial number

### Name plate location

---



# IMPORTANT SAFETY INSTRUCTIONS

**Read this section BEFORE operating the grill.  
The following information applies to all  
KENYON Grills.**

**THIS GRILL, LIKE ALL APPLIANCES, HAS THE POTENTIAL TO  
CREATE SAFETY PROBLEMS THROUGH CARELESS AND  
IMPROPER USE. PLEASE OBSERVE ALL OF THE  
FOLLOWING SAFETY PRECAUTIONS.**

**Read ALL instructions prior to using product.**

## **CAUTION**

**Do not touch hot surfaces.** Use handles or knobs.

**To protect against electrical shock,** do not immerse cord or plugs in water or other liquid.

**Close supervision** is necessary when any appliances are used near children.

**Unplug from outlet when not in use and before cleaning.** Allow to cool before putting on or taking off parts.

**Warning: If the surface is cracked,** switch off the appliance to avoid the possibility of electric shock, for hob surfaces of glass-ceramic or similar material which protect live parts.

**Do not operate appliance with a damaged power cord or plug.** If the appliance malfunctions, discontinue use. Contact KENYON Customer Care immediately at (860) 664-4906.

**The use of accessory attachments not supplied by the manufacturer** of the appliance may cause injuries.

**Do not use appliance for other than intended use.**

When used as a portable grill, store indoors when not in use, out of the reach of children. **Suitable shelter must be provided** to prevent direct exposure to rain. Covers available.

**Do not let cord hang over edge of table or counter, or touch hot surfaces.**

**Do not place on or near** a hot gas or electric burner, or in a heated oven.

**Extreme caution** must be used when moving an appliance containing hot oil or other hot liquids.

**Always attach plug to appliance first,** then plug cord into the wall outlet. To disconnect, turn any control to "off", then remove plug from wall outlet.

**Always place a minimum of one (1) cup of water** in disposable drip tray prior to grilling.

**Clean drip tray after each use to prevent possible fire.**

**Never leave children alone** - children should not be left unattended around the grill at any time.

**Cleaning and user maintenance shall not be made by children without supervision.**

**Allow the grill to cool** before taking off cooking grates, disposable drip trays or lids.

# IMPORTANT SAFETY INSTRUCTIONS

**Do not replace or attempt to repair any part of the grill,** unless otherwise noted in this manual. All other service is to be performed by a factory authorized technician.

**Ensure grill is installed per instructions** and properly grounded by a qualified electrician.

**Do not use water to extinguish a grease fire,** use dry chemical fire extinguisher.

**The appliance is suitable for outdoor use.**

**The supply cord should be regularly examined** for signs of damage, and if the cord is damaged, the appliance must not be used.

**Do not use an extension cord with this appliance.**

**Appliances are not intended to be operated by means of an external timer or separate remote-control system.**

**Do not store flammable materials near the grill.**

**Fuel, such as charcoal briquettes,** are not to be used with this appliance.

**Do not wear** loose fitting or hanging apparel when using the grill.

**The appliance is not to be used** by persons (including children) with reduced physical, sensory or mental capabilities, or lack of experience and knowledge, unless they have been given supervision or instruction.

**The appliance is to be connected** to a socket-outlet having an earthing contact.

The appliance **must be supplied through a residual current device (RCD)** having a rated residual operating current not exceeding 30mA.

**DO NOT DISCARD THESE INSTRUCTIONS, KEEP THEM WITH THE KENYON GRILL FOR FUTURE REFERENCE.**



**WARNING!**

**Charcoal or similar combustible fuels must not be used with this appliance.**

**QUICK START TIPS**

**IntelliKEN Touch™**

Thank you for purchasing the World's Finest All Seasons® Electric Grill! Here are a few simple steps you can take to ensure your good decision will lead to years of World-Class Grilling:

1. Remove grate(s) and drip tray(s), clean both.
2. Insert the drip tray(s) into the bottom of grill. Make sure the burner brackets are not resting on the drip tray(s).
3. **Always fill the drip tray(s) with 1/8 oz. of liquid.** Water will work, but why not try beer or wine to add flavor to your favorite food. Then re-install cooking grate.
4. You have the choice of temperature or power setting. Adjust type of food, for example:  
Vegetables - Temp setting 350°F / Power setting 4  
Pork and fish - Temp setting 400°F / Power setting 5  
Burgers - Temp setting 500°F / Power setting 9  
Steak - Temp setting 550°F / Power setting 10

Preheat grill with the lid closed for 7 to 9 minutes. Enjoy the best grilled food you have ever tasted!

5. Once cool, place grate/griddle in the dishwasher along with the dirty dishes so that it's ready for its next tour of duty!
6. While the grata is in the wash, don't forget to **clean out the drip tray contents.** This is an important step in preventing a grease fire.

**VISIT OUR WEBSITE**  
to purchase recipe books, cooking utensils, griddles, grill covers, and more!

**REMOVE & READ PRIOR TO GRILLING**

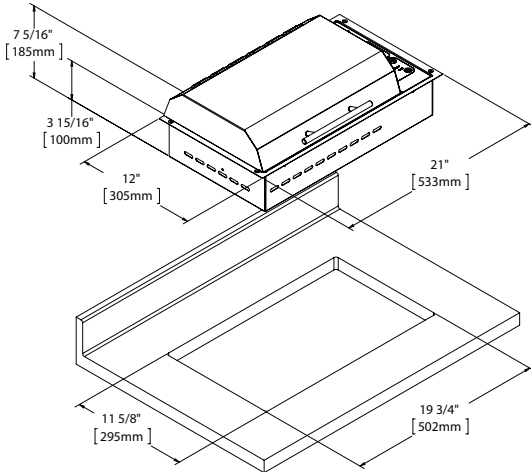
www.CookWithKenyon.com | 860.664.4906 | f t p

**THE ABOVE INSERT IS LOCATED UNDERNEATH YOUR GRILL LID. PLEASE READ INSERT AND REMOVE PRIOR TO GRILL USE.**

# Product Specifications

## Frontier *Built-in* Grill with IntelliKEN Touch™

- Model B70550 (120V)
- Model B70551 (240V)



BURNER DATA		
VOLTAGE	AMPS	OUTPUT IN WATTS
120V AC	11	1300
240V AC	6	1300

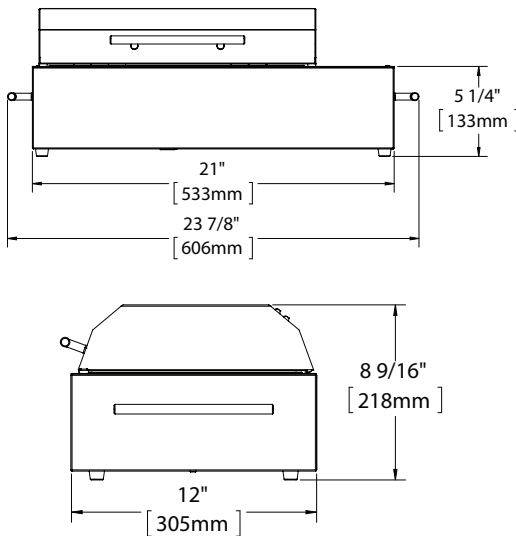
PRODUCT DIMENSIONS		
WIDTH	DEPTH	HEIGHT
21"	12"	4 15/16" (8 5/16" with lid)
533mm	305mm	125mm (211mm with lid)

*Height includes 1" drain fitting not visible in drawing*

CUTOUT DIMENSIONS		
WIDTH	DEPTH	RADIUS
19 3/4"	11 5/8"	1/4"
502mm	295mm	6mm

## Frontier *Portable* Grill with IntelliKEN Touch™

- Model B70590 (120V)
- Model B70591 (240V)



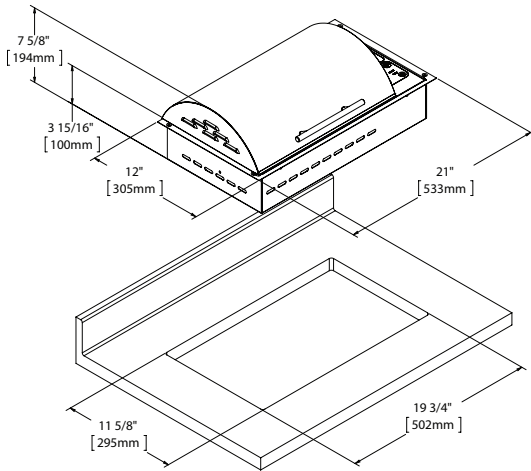
BURNER DATA		
VOLTAGE	AMPS	OUTPUT IN WATTS
120V AC	11	1300
240V AC	6	1300

PRODUCT DIMENSIONS		
WIDTH	DEPTH	HEIGHT
21"	12"	8 9/16"
533mm	305mm	218mm

# Product Specifications

## Floridian *Built-in* Grill with IntelliKEN Touch™

- Model B70580 (120V)
- Model B70581 (240V)



BURNER DATA		
VOLTAGE	AMPS	OUTPUT IN WATTS
120V AC	11	1300
240V AC	6	1300

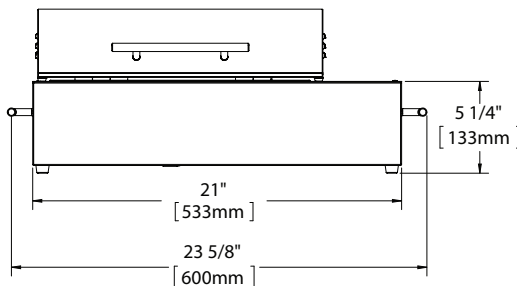
PRODUCT DIMENSIONS		
WIDTH	DEPTH	HEIGHT
21"	12"	4 15/16" (8 5/8" with lid)
533mm	305mm	125mm (219mm with lid)

*Height includes 1" drain fitting not visible in drawing*

CUTOUT DIMENSIONS		
WIDTH	DEPTH	RADIUS
19 3/4"	11 5/8"	1/4"
502mm	295mm	6mm

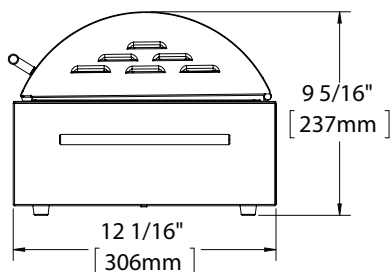
## Floridian *Portable* Grill with IntelliKEN Touch™

- Model B70582 (120V)
- Model B70583 (240V)



BURNER DATA		
VOLTAGE	AMPS	OUTPUT IN WATTS
120V AC	11	1300
240V AC	6	1300

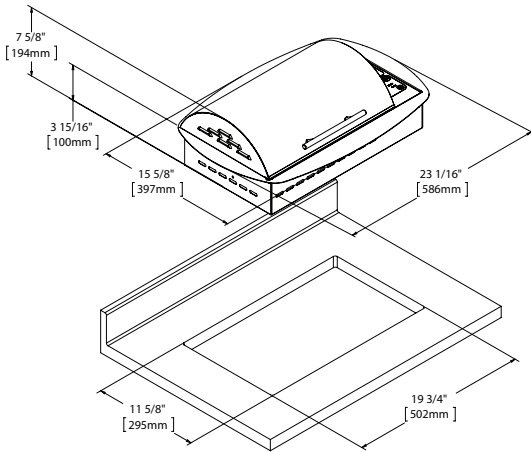
PRODUCT DIMENSIONS		
WIDTH	DEPTH	HEIGHT
21"	12 1/16"	9 5/16"
533mm	306mm	237mm



# Product Specifications

## Rio *Built-in* Grill with IntelliKEN Touch™

- Model B70585 (120V)
- Model B70586 (240V)



BURNER DATA		
VOLTAGE	AMPS	OUTPUT IN WATTS
120V AC	11	1300
240V AC	6	1300

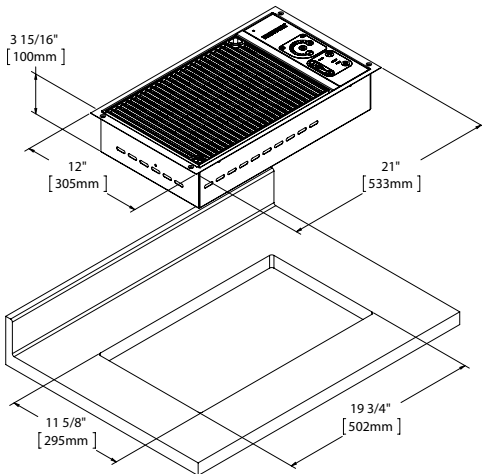
PRODUCT DIMENSIONS		
WIDTH	DEPTH	HEIGHT
23 1/16"	15 5/8"	4 15/16" (8 5/8" with lid)
586mm	397mm	125mm (219mm with lid)

*Height includes 1" drain fitting not visible in drawing*

CUTOUT DIMENSIONS		
WIDTH	DEPTH	RADIUS
19 3/4"	11 5/8"	1/4"
502mm	295mm	6mm

## No Lid Built-In Grill with IntelliKEN Touch™

- Model B70560 (120V)
- Model B70561 (240V)



BURNER DATA		
VOLTAGE	AMPS	OUTPUT IN WATTS
120V AC	11	1300
240V AC	6	1300

PRODUCT DIMENSIONS		
WIDTH	DEPTH	HEIGHT
21"	12"	4 15/16"
533mm	305mm	125mm

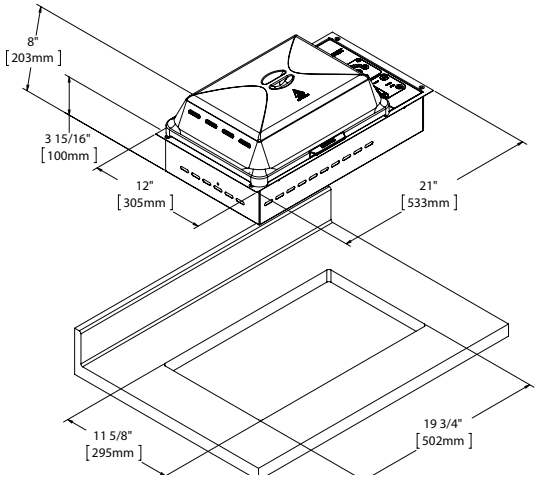
*Height includes 1" drain fitting not visible in drawing*

CUTOUT DIMENSIONS		
WIDTH	DEPTH	RADIUS
19 3/4"	11 5/8"	1/4"
502mm	295mm	6mm

# Product Specifications

## SilKEN® Built-in Grill with IntelliKEN Touch™

- Model B70570 (120V)
- Model B70571 (240V)



BURNER DATA		
VOLTAGE	AMPS	OUTPUT IN WATTS
120V AC	11	1300
240V AC	6	1300

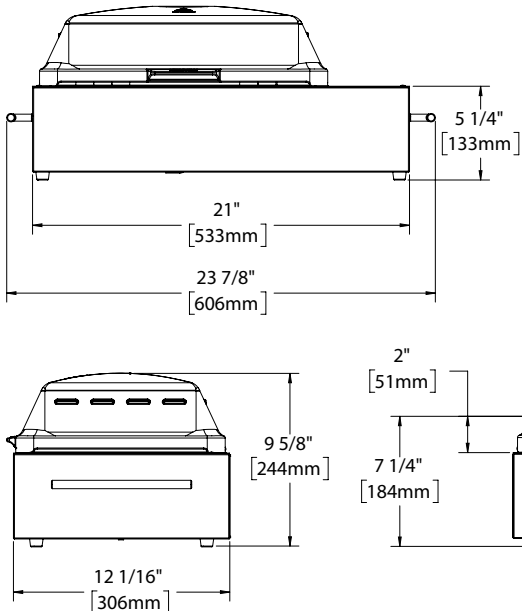
PRODUCT DIMENSIONS		
WIDTH	DEPTH	HEIGHT
21"	12"	4 15/16" (9" with lid)
533mm	305mm	125mm (229mm with lid)

*Height includes 1" drain fitting not visible in drawing*

CUTOUT DIMENSIONS		
WIDTH	DEPTH	RADIUS
19 3/4"	11 5/8"	1/4"
502mm	295mm	6mm

## SilKEN® Portable Grill with IntelliKEN Touch™

- Model B70572 (120V)
- Model B70573 (240V)



BURNER DATA		
VOLTAGE	AMPS	OUTPUT IN WATTS
120V AC	11	1300
240V AC	6	1300

PRODUCT DIMENSIONS		
WIDTH	DEPTH	HEIGHT
21"	12 1/16"	9 5/8"
533mm	306mm	244mm



# Before Using the Grill

**1** Remove the cooking grate and drip tray from the grill. Wash the grill with warm soapy water using a non-abrasive cloth. **USE ONLY HIGH TEMP PLASTIC UTENSILS WHEN GRILLING.** Visit our website to purchase a set of high quality stainless steel/high temp plastic grill utensils, [www.cookwithkenyon.com](http://www.cookwithkenyon.com).



**2** Make sure the drip tray is inserted all the way into the bottom of grill and electric element bracket is resting on the element support bracket.

**3** Cover the bottom of the drip tray with a liquid. Water is fine. **PLEASE DO NOT USE A FLAMMABLE LIQUID!** Doing so would ruin your cookout. Using apple juice if you are grilling pork adds a nice flavor to the meat. A can of lime soda is wonderful if you are grilling fish. **Just remember always add liquid to the drip tray prior to grilling.**



**4** To keep your grill smoke free, always clean the grilling surface after each use. Simply wash with warm soapy water using a non-abrasive cloth or place in your dishwasher. Empty the drip tray and wipe with a damp paper towel. The drip tray can be used multiple times before needing to be replaced.



**5** Place your cooking grate or optional griddle (part #B96000) onto the element with drip tray installed. Use the griddle for foods such as eggs, pancakes or my favorite - stuffed french toast!

**6** Preheat grill for 5 to 9 minutes on heat setting for type of food.

- Steak - Temp setting 550°F/ Power setting 16
- Burgers - Temp setting 500°F/ Power setting 9
- Pork and Fish - Temp setting 400°F/ Power setting 5
- Vegetables - Temp setting 350°F/ Power setting 4

**7** Close the lid and cook. Enjoy the best grilled food you have ever tasted!

**8** Clean up. After the grill has cooled to the touch, take a few pieces of paper towel and place on the grilling surface. Pour about one ounce of water on the towel and then using your high temperature nylon tongs, swab the paper toweling back and forth to loosen up the residue from your grilling. Throw the paper towel away and wipe the grates off with a dry paper towel.

**9** Once the grate has cooled sufficiently, remove the grate and place in your dishwasher for a thorough cleaning.

**10** With the grate removed, lift up the electric elements and remove the drip tray. Empty the contents of the drip tray in an appropriate place. Wipe the tray out with a dry paper towel and reuse the tray. The tray can last for several uses.

**11** After you have used your grill many times, you may want to wash the lid. It can be placed in your dishwasher and run on the pots & pans cycle. This will restore your grill to its original pristine look.

**12** To clean the grill, first be sure the cooking surface has cooled enough to handle. Then remove the grate, lift up the electric element until it locks in the up position, then the drip tray.

# Before Using the Grill

**13** Wipe the stainless steel surfaces with a damp cloth to remove any residue from previous grilling sessions.

**14** Your Kenyon grill came with a sample bottle of stainless steel cleaner. Use this cleaner once a month to keep your grill looking like new.



**15** The touch control area is ceramic glass which is sealed from the effects of rain, snow and ice. To clean the glass, use a glass cleaner and soft towel. If stains appear, use a ceramic glass cleaner which can be found in your local grocery store.

## Stuffed French Toast

16 slices Thin Sliced Bread  
1 lb. Cream Cheese (softened)  
½ cup Peach Preserves (or your favorite)  
4 T. Butter

**French Toast Batter:**  
5 Large eggs thoroughly beaten  
1 cup Milk  
1 T. Cinnamon, ground  
½ t. Allspice, ground  
½ t. Coriander, ground  
2 oz. Water (Dark Rum, Optional)

In a large bowl place the eggs and beat with a wire whisk. Add the milk and beat again until incorporated. In a separate smaller bowl pour water or Rum (if you prefer) and add dry ingredients, mix thoroughly. Once the dry ingredients have been mixed, add to the egg and milk mixture and beat again until mixed. By doing this you avoid the clumps that come with making batter.

### Method of Preparation:

This will require the use of your griddle. Preheat your 'All Seasons Grill' on medium high heat (12 bars) for approximately ten minutes.

Once the cream cheese has softened mix with the peach preserves. Divide equally onto eight slices of bread and spread evenly. Place the remaining eight slices on top to make a sandwich. When your griddle has been preheated, add two tablespoons of butter and move around to coat the griddle. Reserve the rest of the butter for the remaining pieces of French Toast. Take the sandwich and dip into the mixture and flip it over to coat both sides of your bread.

Quickly do this to three more "sandwiches". You will now have four pieces of stuffed French Toast on your griddle.

Be careful not to burn. Flip the sandwiches over and continue cooking until both sides are browned nicely.

At this point you either serve with some nicely warmed maple syrup and butter, or you can keep warm in a low oven until you finish the remaining pieces of French Toast.

## **DO NOT USE WATER ON GREASE FIRES**

Smother fire or flame or use dry chemical or foam-type extinguisher.

## **USE ONLY DRY POT HOLDERS**

Moist or damp pot holders on hot surfaces may result in burns from steam. Do not let pot holder touch the grate or element of the grill. Do not use a towel or other bulky cloth in place of a pot holder.

## **DO NOT COOK ON BROKEN GRILL GRATE OR GRIDDLE**

If the grate should break, grease and oils may come into direct contact with the electric element and create a risk of electric shock or fire. Contact an authorized service center or KENYON Customer Care immediately at (860) 664-4906.

## **CLEAN GRILL WITH CAUTION**

If a wet sponge or cloth is used to wipe spills on a hot cooking surface, be careful to avoid steam burns. Some cleaners produce noxious fumes if applied to a hot surface. Read the cleaner label for details prior to using.

## **DO NOT TOUCH HEATING ELEMENT OR GRATE**

The heating element and grate will be hot for some time after cooking. These components should be allowed to cool and then be handled with care and caution while cleaning, as they may be hot enough to cause severe burns.

**Do not operate appliance with a damaged power cord or plug.** If the appliance malfunctions, discontinue use and contact the nearest authorized appliance dealer or the factory examination, repair or adjustment.

## **DO NOT USE POTS OR OTHER BAKEWARE ON THE GRILL**

## **NEVER LEAVE GRILL UNATTENDED AT HIGH HEAT SETTINGS**

High heat setting may cause heavy smoking and ignite grease.

## **CLEAN GRILL AFTER EACH USE**

This appliance is equipped with removable, disposable drip tray. The drip tray **MUST** be removed and cleaned after each and EVERY use. Do not allow grease to accumulate between cooking. The drip tray and baffle tray **MUST** be used when cooking on the grill. Excessive grease may spill over into the interior of the grill, voiding your warranty and posing a fire hazard.

## **DO NOT CLEAN UNIT WITH PRESSURIZED WATER**

Never clean the grill with any form of pressurized water or other types of cleaners. Doing so will void the warranty and may pose a serious risk of electric shock. Always clean the grill with a cloth and a stainless steel or glass surface cleaner.

## **STORAGE**

When used as a portable grill, store indoors when not in use. When used as a built-in grill, suitable shelter must be provided to prevent direct exposure to rain. Covers available.

## **TO PREVENT SMOKE**

To prevent the contents of the drip tray from smoking, place 1 cup of water (or enough to cover the bottom of the pan) in the drip tray before cooking.

**THIS APPLIANCE IS NOT INTENDED TO BE OPERATED** by means of external timer or separate remote-control system

## **THIS APPLIANCE IS INTENDED TO BE USED IN HOUSEHOLD AND SIMILAR APPLICATIONS SUCH AS:**

- Staff kitchen areas in shops, offices and other working environments;
- Farm houses;
- By clients in hotels, motels and other residential type environments;
- Bed and breakfast type environments

**KEEP THESE INSTRUCTIONS WITH THE GRILL  
FOR FUTURE REFERENCE**

# Operation

## Indicator Lights

There are a series of lights that provide indications of element operation and hot surfaces.

These lights are located adjacent to the control panels. When the control is ON, a LED light array will illuminate indicating that the element is on.

For your safety, we have incorporated a “HOT” indicator light. When lit, this light indicates that some part of the cooking grate is too warm to touch or place articles upon.



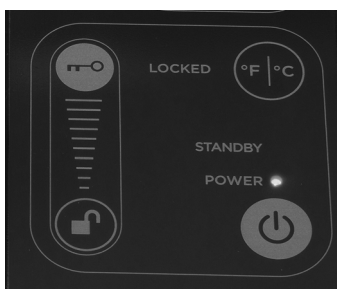
Do not place articles on the cooking surface while this light is glowing.

After turning off the element, the “HOT” indicator light will remain illuminated until the cooking grate is safe to touch.

## Turning On

Touch the controls firmly with the flat part of your fingertips.

With the unit unlocked, touch the POWER button in the main control frame. Activate the element by holding the element power button in the control frame for 2 seconds and choosing a cooking option. If the element is not activated within 15 seconds, the grill will de-power by itself.



## Safety Lock Feature

The lock feature can be activated as a safety measure at any time whether the grill is ON or OFF.



### When the Grill is ON:

Locking the grill when it is ON will deactivate the power settings from adjusting up or down. Pressing either the zone power or the master power button will turn off the grill even when the lock is on.

### When the Grill is OFF:

Locking the grill when it is off will deactivate all functions of the control panel until it is unlocked. The master power button will not power on the grill when the lock is on.

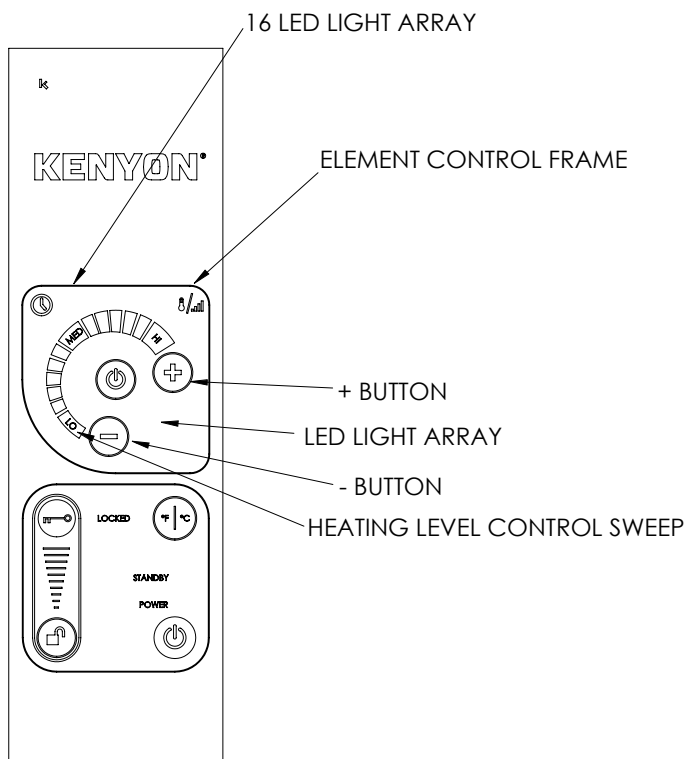
## Cooking Mode Options

The grill element can be independently operated by either a heating level ranging from low to high, or by setting a specific cooking temperature.

## Heat Level Cooking Mode

With the main power on and the element powered on, swipe your finger along the temperature control arc and release at the desired setting. The settings range from LOW-MED-HIGH in 16 increments, as indicated by the LED light array that illuminates along the control sweep. Also, the arc + and – signs can be toggled to select the desired heat level. The LED light array will indicate the selected setting.

The default heat level upon starting any element is 0. If the element is set or remains at 0 for 15 seconds of inactivity, the element will de-power.



## Temperature Cooking Mode

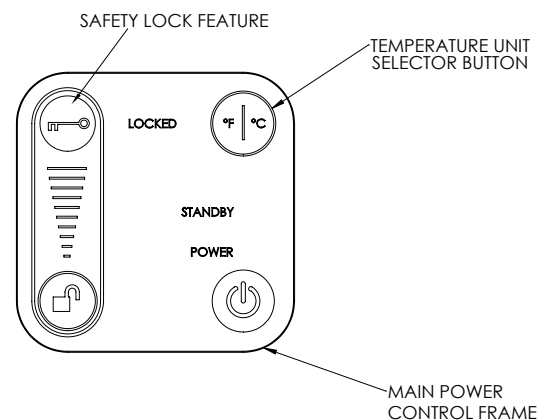
Select the temperature cooking mode by touching the thermometer/gradient graphic.



Select the desired cooking temperature, ranging from 150° to 550°F (65° to 287°C), in 10°F (12°C) increments. The selection can be made by pressing + or – buttons for each increment change, or swiping the arc. The selected cooking temperature value will illuminate and flash in the control frame while the selection is in progress. The value will flash until the temperature is reached. After the temperature has been reached the value will illuminate steady, and the cooking temperature will remain set unless it is changed. The default temperature setting is always 150°F (65°C) upon startup in temperature cooking mode.

## Changing Temperature Units

The temperature units can be changed from Fahrenheit to Celsius by touching the °F/°C button in the main power control frame. The chosen default units will remain with every use unless changed.



# Operation

## Timer Options

### Kitchen Timer

The kitchen timer is a general timer that has many uses around the kitchen, independent of cooking activity on the grill.

Activate the main power and touch the timer clock graphic within the element control frame. Set the desired time duration by touching the + and – buttons, holding the button to increase or decrease the setting. A beep will sound at the start of the setting and the set time will display in the control frame. The time increments will run from 1-10 minutes in 1 minute increments, and then change to 5 minute increments. The time reading will speed up as the touch is held. Touch the timer button again to start. If no time is set, the timer will deactivate after 20 seconds.

As the set time elapses, the display will show the time remaining in minutes until it reaches one minute, after which the display changes to seconds remaining to zero. The display will flash and a double beep alarm will sound every ten seconds until the power button is touched or after 3 minutes, the flashing display and alarm will deactivate.

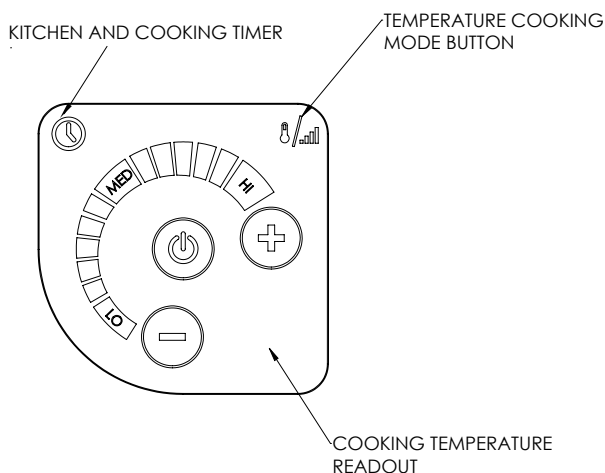
### Cooking Timer

The cooking timer can be activated to shut the heating element off at the end of the set time.

At any time during cooking, set the desired time duration by first touching the clock graphic then touching the + and – buttons, holding the button to increase or decrease the setting. A beep will sound at the start of the setting and the set time will display in the control frame. The time increments will run from 1-10 minutes in 1 minute increments, and then change to 5 minute increments.

The time reading will speed up as the touch is held. Touch the timer button to start. If no time is set, the timer will deactivate after 20 seconds and normal cooking will resume.

As the set time elapses, the display will show the time remaining in minutes until it reaches one minute, after which the display changes to seconds remaining to zero. The burner will automatically shut-off and stop cooking at the end of the set time. The display will flash and a single beep alarm will sound every five seconds until the power button is touched, within 30 seconds. After 30 seconds of no activity after the time has elapsed, the timer will shut off.



## Automatic Shut-Off Time

The table below displays the automatic shut-off time corresponding to each heat setting.

SETTING	AUTOMATIC SHUT-OFF (min)
1	90
2	90
3	90
4	90
5	70
6	70
7	70
8	70
9	70
10	70
11	60
12	60
13	60
14	60
15	60
16	60

## Temperature Guide

The following is meant to be a guideline. Factors such as wind, and outside temperatures, food temperature when placed on grill can affect cooking times. The grill is designed and engineered for optimal cooking performance with the lid down or closed.

SETTING	FOOD TYPES
1-2	Fried eggs on griddle
3-4	Pancakes - French toast on griddle
5-6	Vegetables
7-8	Vegetables - Fish
9-10	Fish - Chicken
11-12	Chicken - Hamburgers
13-14	Hamburgers - Steaks
15-16	Steaks

# Operation

## SINGLE ZONE GRILL WITH INTELLIKEN TOUCH™ MAINTENANCE

The Kenyon Single Zone Grill with IntelliKEN Touch™ is a sealed unit that does not require regular maintenance. Please follow our operating instructions as mentioned above. If your grill requires service, this must be preformed by **Authorized Personnel only**.  
Please call **Kenyon Customer Care** at **860-664-4906**.

### Error Code Readout

In the event that the Grill is not operating correctly, the control readout will display an error code that will identify the problem. If an error code is shown on the display, identify the code in the Troubleshooting Index below and take action as noted.

De-power and re-start the unit to clear the display. Allow the unit to cool as necessary. Lock out the main power supply to the unit by closing the breaker before performing any wiring operations. If the problem persists, please call Kenyon Customer Care at 860-664-4906, M-F, 8AM – 5PM EST or email at [customer care@cookwithkenyon.com](mailto:customer care@cookwithkenyon.com).

### TROUBLESHOOTING INDEX

ERROR CODE	DESCRIPTION	ACTION TO REMEDY ERROR
<b>E04</b>	Unit operating at high temperature.	Allow unit to cool. Ensure correct cooking utensil type is used. Lower the cooking level or temperature setting.
<b>E06</b> <b>E07</b> <b>E08</b> <b>E09</b>	Internal electronic control issue.	Refer to <b>Kenyon Customer Care</b> .
<b>E10</b>	More than two control functions activated at the same time for three seconds, unit de-powered.	Re-power unit and command one control input at a time.



## Power Cord

**THIS PERTAINS TO 120V  
MODELS ONLY**

### Ground Fault Circuit Interrupter (GFCI)

The GFCI is a safety device designed to protect the user from any electrical shock hazard.

### Indicator Light

The indicator light will stay illuminated when electrical power is applied and indicates that the GFCI is working properly.

### Test/Emergency Off Button

Pressing this button will test the GFCI. The indicator light will go out and electrical power will not be supplied to the grill. The GFCI should be tested monthly.

### Reset Button

Pressing this button will reset the GFCI to its normal function. The indicator lamp will illuminate and electrical power will be supplied to the grill. If the indicator lamp does not illuminate, the GFCI has detected a malfunction. Unplug the GFCI from the receptacle and do not use the grill.

### Grounded 3-Prong Plug

**CAUTION** - To ensure continued protection against risk of electric shock, the GFCI must be plugged into a properly grounded receptacle.

**DO NOT USE AN EXTENSION CORD**

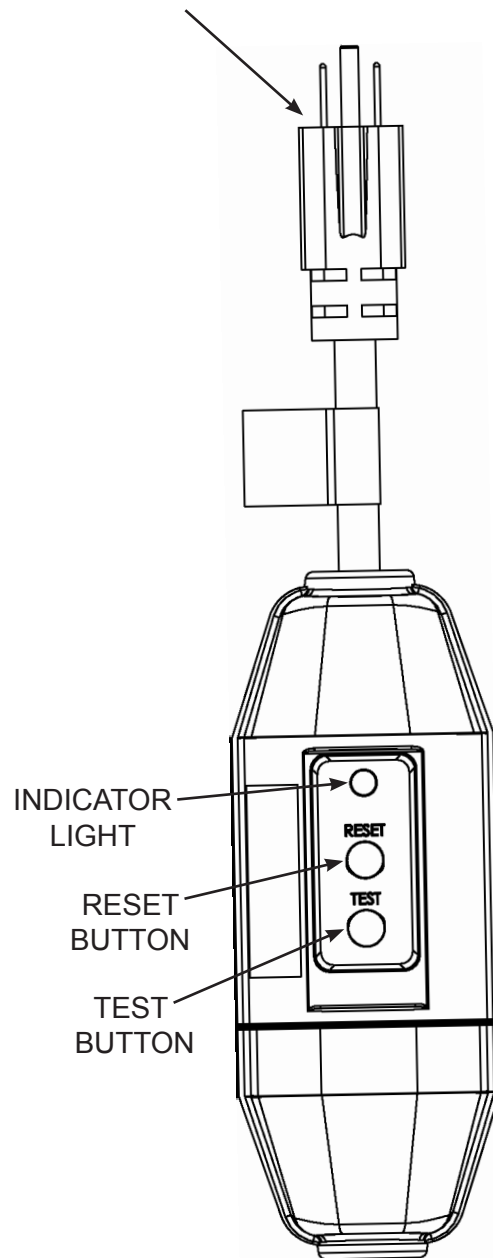


**IMPORTANT!**

### 240V MODELS GROUND FAULT CIRCUIT

The supply voltage circuit (240V) should be equipped with a ground fault circuit interrupter. Check local codes for compliance.

GROUNDING 3-PRONG PLUG



**Ground Fault  
Circuit Interrupter  
GFCI**

# Operation

## Grill Parts

### Heating Element

The heating element is designed to pivot as shown to remove/replace the baffle tray and drip tray. It will stay in the up position. To put down apply slight downward pressure.

### Baffle Tray

The baffle tray supports the drip tray, heating element and grate and must always be used when operating the grill.

### Drip Tray

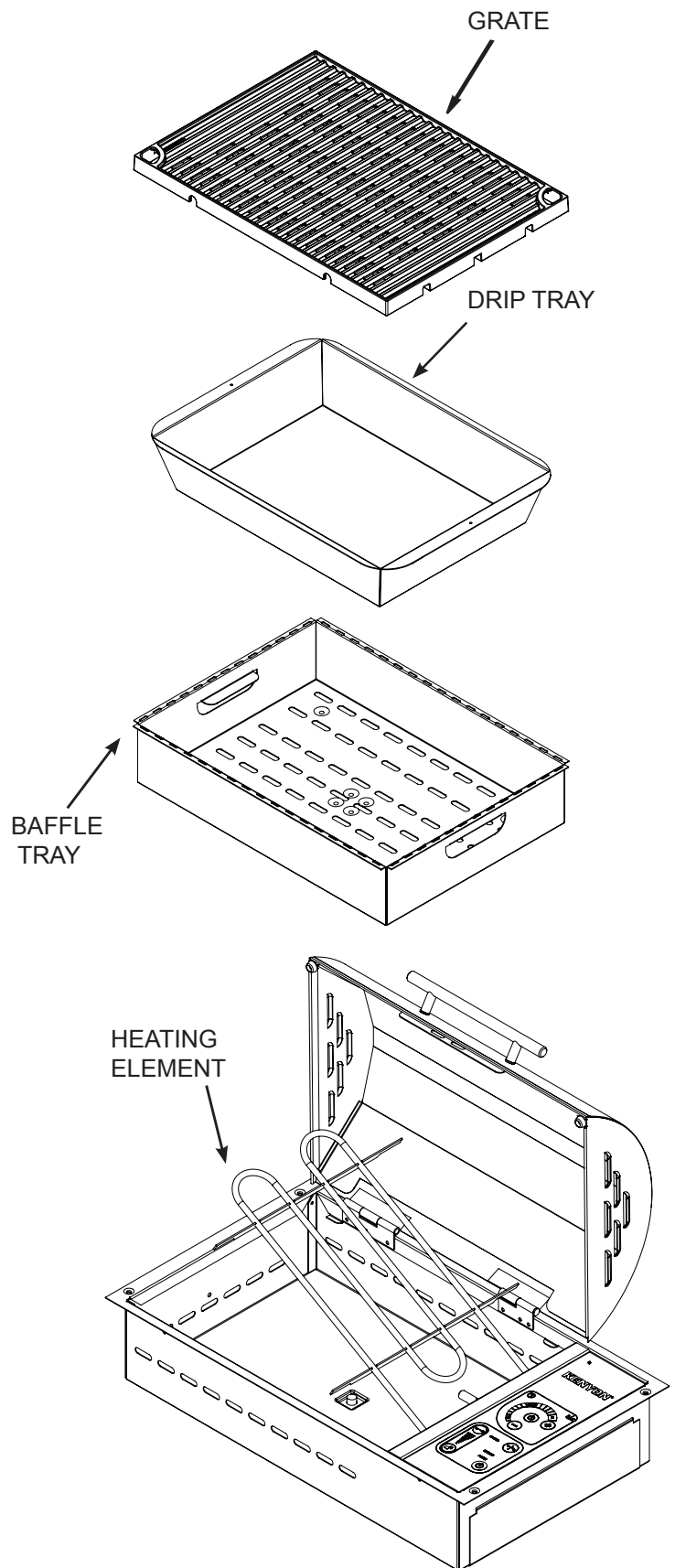
The disposable drip tray collects all the fat and juices created during the cooking process. The drip tray must be emptied after each use. When replacing the drip tray, position the drip tray so that it is completely contained inside the baffle tray and ensure that the side of the rim of the drip tray does not protrude outside of the baffle tray. Refer to image below.



**To prevent the contents of the drip tray from smoking, place 1 cup of water (or enough to cover the bottom of the pan) in the drip tray before cooking.** The replacement for the disposable drip tray is Kenyon part #B96001.

### Grate

The grate **must** be cleaned after every use. The grate has a nonstick coating for ease of cleaning. Wash the grate after each use in warm soapy water.



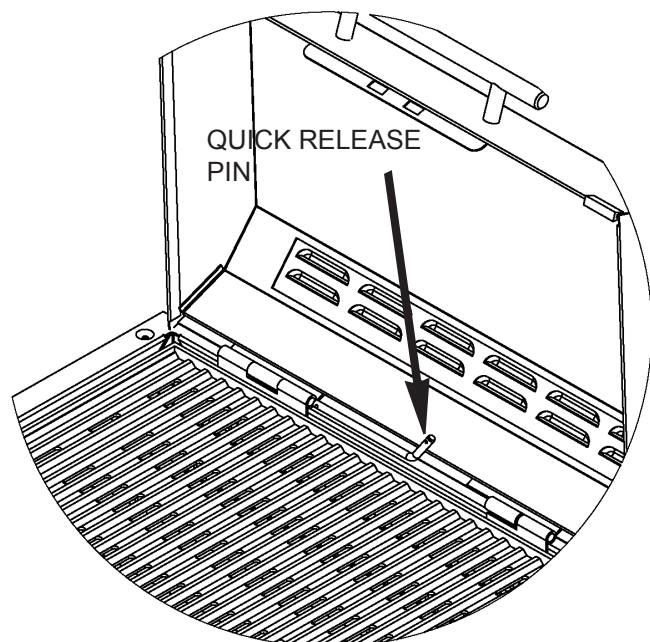
## THIS PERTAINS TO SiIKEN® PORTABLE & BUILT-IN GRILLS

The SiIKEN® Grill incorporates a high temperature silicone lid. Through the use of silicone, the lid can collapse accordion-style to a height of two inches.

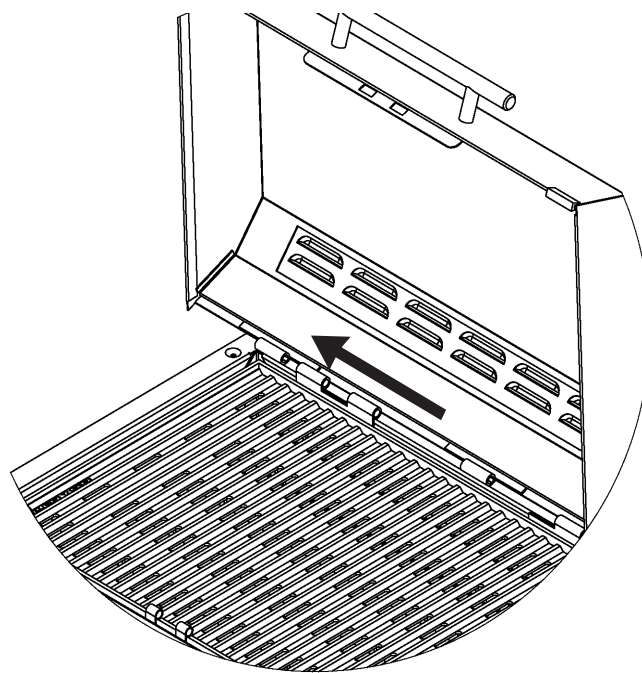
There are two handles on the lid, one on the top and one on the front edge with vents on three sides. Use the front handle when the lid is hinged. The top handle is used to collapse and expand the lid into the desired height.

## Lid Removal

The lid is removable for cleaning. To remove the lid, slide the quick release pin out of the hinge.



With the quick release pin removed, grasp the lid, lifting on the left side to clear the hinge and slide it to the left until clear of the hinge pin on the right. Once the lid is removed, it can be washed in warm, soapy water.



## WARNING!

Grill must cool completely before collapsing the silicone lid.

# Installation

## Unpacking the Grill

- 1 Carefully unpack the grill from its shipping container.

Verify and identify the package contents. The following items should be included in the carton. If any components are missing or damaged, call KENYON immediately.

## Check the Electrical Supply Requirements

- 2 This product must be installed in accordance with national, state and local electric codes. The following table provides the correct voltage, amperage and frequency that must be supplied to the grill. The means for disconnection must be incorporated in the fixed wiring in accordance with the wiring rules.

**PARTS INCLUDED**

---



**IntelliKEN Touch™  
Grill**



**(1) Stainless  
steel cleaner**



**3 feet of drain hose  
with brass fitting**



**(4) Mounting  
screws**

<b><u>ELECTRICAL SUPPLY REQUIREMENTS</u></b>			
<b>KENYON PART NUMBER</b>	<b>MAX CONNECTED LOAD</b>	<b>POWER SUPPLY INPUT</b>	<b>PLUG TYPE</b>
B70550 B70560 B70570 B70572 B70580 B70582 B70585 B70590	1300 Watts	120V AC 11A 60Hz	3 Prong Grounded Cord with GFCI
B70551 B70561 B70571 B70573 B70581 B70583 B70586 B70591	1300 Watts	240V AC 6A 60Hz	3 Wire Cord No Plug

 **WARNING!**

**If the electrical supply does not meet the product specifications, consult with a licensed electrician before proceeding with installation! Do not remove the GFCI device from the supplied power cord under any circumstances.**

## Countertop Preparation

**3** Your IntelliKEN Touch™ Grill is supplied with a factory installed polished stainless steel flange that accepts four oval head wood screws for mounting. The trim flange of the grill is designed to hold the unit firmly in place in the countertop. If desired, you may seal the edge of the countertop beneath the trim flange. We recommend a **NON-ADHESIVE** such as Plumber's Putty. This will help reduce the chance of damage to the trim flange should the unit need to be removed from the countertop. Should you need to remove the unit from the countertop after installation simply take a piece of fishing line and run back and forth under the trim flange to break the caulk bond.



### WARNING!

**Allow a 2 inch (2") minimum clearance between the bottom of the grill and combustible surface located below, ie: the upper edge of a drawer installed below the grill (see page 22). Failure to provide proper clearances and ventilation may result in a fire hazard.**

### **PLEASE READ THIS SECTION PRIOR TO MAKING CUTOUT FOR THE GRILL.**

It is important to plan ahead for installation of the grill, keeping the following dimensions in mind.

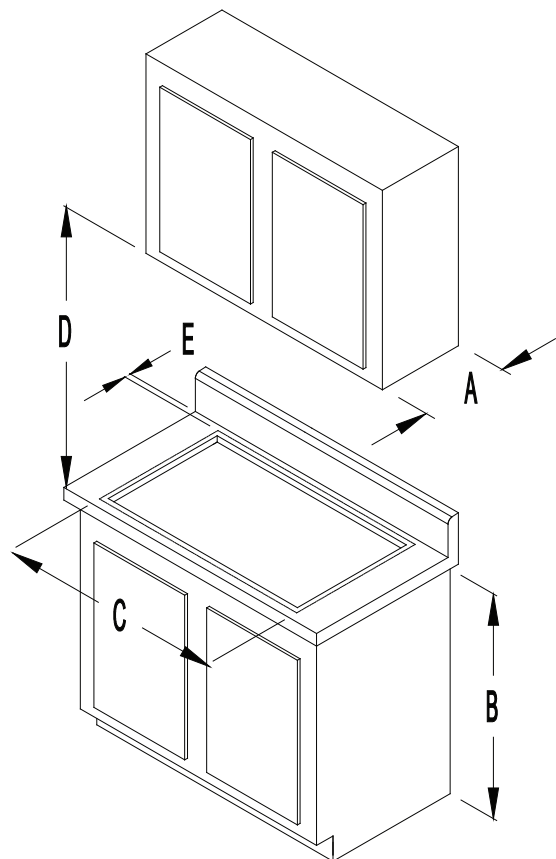
**A** - 13 inches maximum depth of overhead cabinets

**B** - 36 inches is minimum height of countertop above floor

**C** - The minimum flat countertop surface that the grill will rest upon must be equal to or greater than the overall grill dimensions (refer to **page 5 thru 8** for overall grill dimensions).

**D** - 30 inches minimum clearance between the top of the cooking surface and the bottom of an unprotected wood or metal cabinet or 24 inch minimum clearance when the bottom of the wood or metal cabinet is protected by not less than 1/4-inch-thick flame retardant millboard covered with not less than No. 28 MSG sheet steel, 0.015-inch-thick stainless steel, 0.024-inch-thick aluminum or 0.020-inch-thick-copper.

**E** - 6-inch minimum from backsplash of countertop to edge of grill (refer to **page 5 thru 8** for overall grill dimensions). 1-1/2 inches minimum from front of counter to grill.



### **FOR INSTALLATIONS IN CANADA:**

**“Do Not Install Closer Than 1/2 Inch (12mm) From Any Adjacent Surface”, and NE PAS INSTALLER A’MDINS DE 12MM DETOUTE SURFACE ADJACENTE.**

# Installation

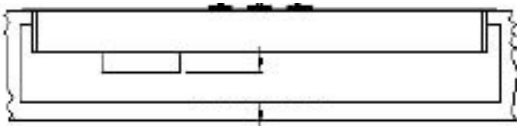


## WARNING!

To eliminate the risk of burns by reaching over heated surface units, cabinet storage space located above surface units should be avoided. If cabinet storage is to be provided, the risk can be reduced by installing a range hood that projects horizontally a minimum of 5" beyond the bottom of the cabinets.

Before making the countertop cutout, check for clearance. Check to see if the grill will clear the front and side walls of the base cabinet. It is also important to provide enough ventilation.

Adequate ventilation of the space below the countertop must be provided to ensure proper operation of the grill. Heat transferred from the grill bottom pan during operation will over-heat an improperly ventilated area.



**2 INCH (51mm) MINIMUM**

When making countertop cutout, radius the corner to help prevent cracking of the countertop material. A 1/4 inch radius is typical, but follow the countertop manufacturer's instructions regarding the minimum radius and any reinforcements required to prevent damage to the countertop over time.

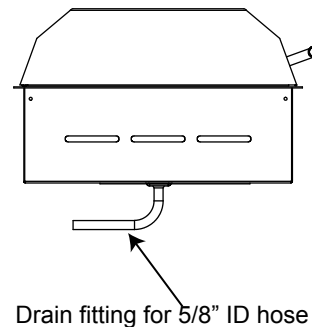
Use Plumber's Putty to seal grill to countertop. Plumber's Putty is a soft, pliable sealing compound that is used to make watertight seals around faucets, drains, and other plumbing parts.

The putty is hidden under the flange, lip, or edge of the grill and is not visible when the grill is installed. If caulk were used instead of putty, it would be difficult to access these areas to cut through the caulk to remove the part.

Plumber's Putty is a very inexpensive material that is sold in small plastic tubs. It is always shaped by hand before it is applied to the plumbing part. Follow the basic instructions on the container of the Plumber's Putty. If your countertop is made of granite, marble, quartz, sandstone or Corian use a stain-free Plumber's Putty to prevent the staining of the countertop.

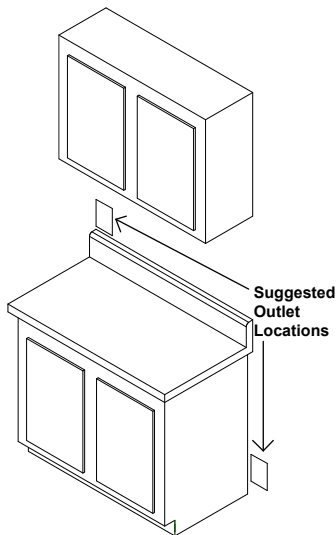
## Drain Connection

- 4 For your convenience, the grill is equipped with a 1/2" NPT brass pipe fitting and 90° brass elbow which you can attach the 5/8" ID flexible hose that came with your grill. The portable version of the grill comes with a brass pipe plug installed in the drain fitting. If you are using your grill as a portable unit, save the hose and 90° brass fitting for possible installation in the future.



## Outlet Location

- 5 Be sure the electrical outlet intended for the grill is in an easily accessible location. This allows the user to easily plug and unplug the grill. This is necessary to ensure safe cleaning and storage of the grill.



## Final Preparations Prior to Use

- 6 Remove the protective plastic film from the lid, trim flange and glass panel. Clean the grill before you use it for the first time. A thorough cleaning with a stainless steel or glass cleaner will remove any traces of plastic film adhesives and manufacturing oils.

**Wash the nonstick coated grates in warm soapy water before using the grill.**

---

Kenyon International, Inc (the "Company") warrants its products in normal usage to be free of defects in materials and workmanship subject to the conditions and limitations below. Any part, which proves to be defective in normal usage during the warranty period will be repaired or replaced by the Company.

---

**In order for product to be covered under this warranty it must be returned to the Company for evaluation. Please contact [kenyonservice@cookwithkenyon.com](mailto:kenyonservice@cookwithkenyon.com) for return instructions.**

This warranty covers certain products built by the Company and is subject to the following conditions and limitations:

1. The Company's liability shall be limited to repair or replacement (choice of remedy at Company's option) of electronic components as may be defective in materials or workmanship. This liability is limited to three years from the date of original installation or 42 months from invoice date, whichever comes first; this warranty covers parts and labor at pre-approved rates. Stainless steel is warranted with a lifetime guarantee to be rust free when cared for monthly as outlined in owner's manual. If corrosion begins, contact the Company with photo evidence of corrosion for replacement components.
2. Determination of suitability of the product for the use contemplated by the Buyer is the sole responsibility of the Buyer and the Company shall have no responsibility in connection with such suitability.
3. The Company shall not be liable for any damage resulting from:
  - failures due to use of the product in applications for which they are not intended;
  - failures due to corrosion, wear and tear, abuse, neglect, improper installation or maintenance;
  - failures due to breakage of glass, accidental or otherwise.
4. The Company shall be responsible for ground shipping charges to the location of the appliance (home) within the Continental United States and Canada. Any duties, express or special shipping charges are at the expense of the Buyer.
5. All labor allowed by the Company under this warranty must be pre-authorized and performed by an Authorized Kenyon International Service Center, unless otherwise specified in writing by the Company.

THERE ARE NO OTHER WARRANTIES OF MERCHANTABILITY, FITNESS FOR PURPOSE OR ANY OTHER KIND, EXPRESSED OR IMPLIED AND NONE SHALL BE IMPLIED BY LAW. The duration of any such warranties that are nevertheless implied by law for the benefit of a consumer, shall be limited to a period of three years from original purchase by the user. Some countries do not allow limitations on how long an implied warranty lasts, so this limitation may not apply to you.

THE COMPANY SHALL NOT BE LIABLE FOR CONSEQUENTIAL OR INCIDENTAL DAMAGES ARISING FROM THE BREACH OF THIS WARRANTY, WHETHER EXPRESSED, IMPLIED OR STATUTORY. Some countries or states do not allow exclusion or limitation of consequential or incidental damages so this limitation or exclusion may not apply to you.

THIS WARRANTY GIVES YOU SPECIFIC LEGAL RIGHTS AND YOU MAY ALSO HAVE OTHER LEGAL RIGHTS THAT MAY VARY FROM COUNTRY TO COUNTRY AND STATE TO STATE.

**Kenyon International, Inc.  
P.O. Box 925 • 8 Heritage Park Road • Clinton, CT 06413 USA  
Phone (860) 664-4906 FAX: (860) 664-4907**

**SAVE THESE INSTRUCTIONS**