



Micros cleat range Nylon and Aluminium

- Small, neat and lightweight for 1- 4mm $\frac{3}{16}$ " - $\frac{5}{32}$ " rope.
- Advanced tooth technology to hold all types of small rope.
- Can be fixed with standard screws and rivets, on tubular or flat surfaces.

Some Applications - Window blinds (cord control). Canoes (seat & rudder lines). Control lines on dinghies (Optimist booms & carbon tillers). Kitesurfing (5th line adjustment).

Open Cleat



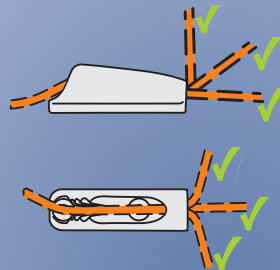
Aluminium or Nylon

Aluminium or Nylon.
Compact to fit into small locations.
Ideal when a rope is not always cleated.

Fairlead Cleat



Aluminium or Nylon



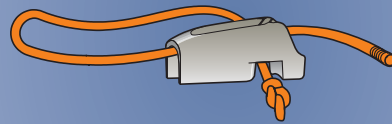
Fairlead strengthens cleat and allows quick fine adjustments of the rope.
Helps hold rope into teeth when a line is flogging.



Fairlead Cleat with Becket



Aluminium only



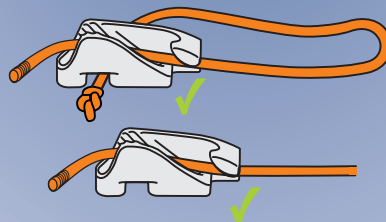
Large Becket makes it easy for frequent de-rigging.



Side entry Cleat with Becket



Aluminium only



Side entry cleats gives the benefit of a fairlead but use of temporary cleating.

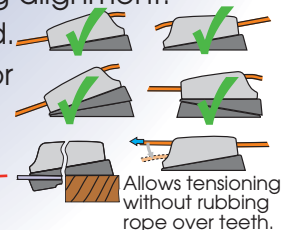


Tapered Pad allows correct rope/cleating alignment.

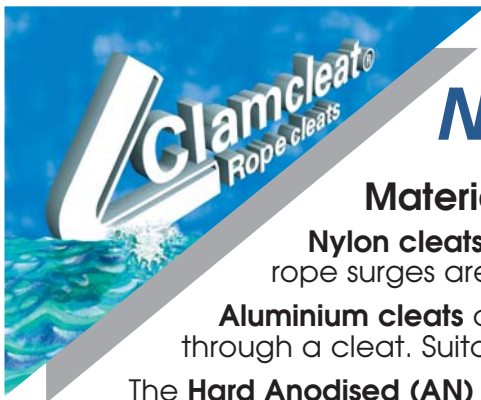
Cleats can be mounted either way round.

Pads can be stacked to increase angle or create a riser block.

Backplate provides support on thin deck sections.



Allows tensioning without rubbing rope over teeth.



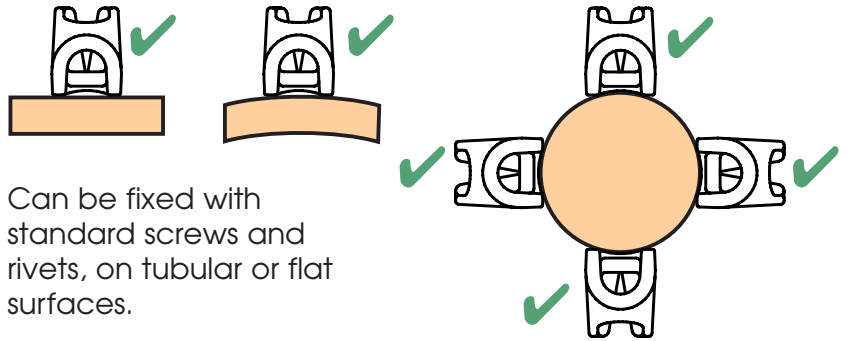
Micros cleat range Nylon and Aluminium

Material Selection

Nylon cleats offer very good value for money and are ideal where high loads or rope surges are not likely to be encountered.

Aluminium cleats are unaffected by the heat generated by a rope surging back through a cleat. Suitable for sub-zero temperatures. Good corrosion resistance.

The **Hard Anodised (AN)** finish gives a high-tech and fashionable appearance as well as offering superior resistance to sea water corrosion.



Can be fixed with standard screws and rivets, on tubular or flat surfaces.

Cleats for ropes to 4mm (5/32")	Screw		Rivet			mm Ø	Gms			
	mm Ø	inch Ø	A	B	C			inch Ø	Gauge	Ozs
CL263 & CL263W White Micros	1 - 4	3/64-5/32	Nylon	A44	B24	C13	3.2	#4	3	5
			Aluminium	A13/4	B15/16	C1/2	1/8	1/8	No4	0.2
CL268 & CL268AN Hard Anodised Racing Micros	1 - 4	3/64-5/32	Aluminium	A44	B24	C13	3.2	#4	3	11
			Aluminium	A13/4	B15/16	C1/2	1/8	1/8	No4	0.4
CL270 & CL270AN Hard Anodised Racing Micros with Becket	1 - 4	3/64-5/32	Aluminium	A44	B24	C13	3.2	#4	3	13
			Aluminium	A13/4	B15/16	C1/2	1/8	1/8	No4	0.5
CL274 & CL274W Open Micros	1 - 4	3/64-5/32	Nylon	A33	B24	C13	3.2	#4	3	3
			Aluminium	A15/16	B15/16	C1/2	1/8	1/8	No4	0.1
CL275 & CL275AN Open Racing Micros	1 - 4	3/64-5/32	Aluminium	A33	B24	C13	3.2	#4	3	7
			Aluminium	A15/16	B15/16	C1/2	1/8	1/8	No4	0.25
CL277 & CL277AN Hard Anodised Side entry Racing Micros with Becket (Starboard)	1 - 4	3/64-5/32	Aluminium	A44	B24	C14	3.2	#4	3	11
			Aluminium	A13/4	B15/16	C9/16	1/8	1/8	No4	0.4
CL278 & CL278AN Hard Anodised Side entry Racing Micros with Becket (Port)	1 - 4	3/64-5/32	Aluminium	A44	B24	C14	3.2	#4	3	11
			Aluminium	A13/4	B15/16	C9/16	1/8	1/8	No4	0.4
CL823 Tapered Pad for CL263, CL268, CL270, CL277 & CL278	1 - 4	3/64-5/32	Polypropylene	A47	B -	C19	3.2	#4	3	4
			Polypropylene	A13/16	B -	C3/4	1/8	1/8	No4	0.15

