

## Matrix



## Introduction

The Matrix gauge set is an affordable, high-value range of digital instruments designed to operate on Mercury SmartCraft® and NMEA 2000® engines (max 4 engines/2 stations.) Accurate reliable information is provided on a clean, easy-to-read gauge with an LCD display and soft-function tactile buttons for navigating through the menu interface. With the push of a button the operator has easy access to the status of the engine including fault alerts, diagnostic messages and other important parameter information using SmartCraft® and NMEA 2000® protocols.


In a Matrix gauge set, the 3" Tachometer is the master and connects directly to the SmartCraft® or NMEA 2000® data bus. All other gauges are slaves and connect to the Tachometer RS-485 private bus (immune to electrical noise, more robust and reliable.) The Tachometer reads the applicable engine parameters (SmartCraft® or NMEA 2000®) and forwards them on the private bus for the slave gauges. The gauges operate on 12 volt systems and support single, dual, triple or quad engine applications.

## Key Features

- CANbus driven Tachometer
- IP67 waterproof
- Plug and play connectors fitted
- CANbus connectivity
- LCD on Tachometer and Speedo displays all available data and alarms
- Soft-function tactile push keys for easy navigation
- Speedo and all 2" gauges receive data from Tachometers
- Dry nitrogen filled to minimize fogging & fully sunlight readable display
- LED dimmable automotive style backlighting (red)

### ADDRESS

Veethree Electronics  
2050 47th Terrace East  
Bradenton, FL 34203

 941-538-7775

 sales@veethree.com



# Matrix


Ordering Information	Size	Range	SS Bezel Anti-fog Lens
SmartCraft® Tachometer with LCD	3"	7000 RPM	781014SDFB
NMEA 2000® Tachometer with LCD	3"	7000 RPM	781545SDFB
Speedometer with LCD	3"	90 MPH	781016SDFB
Speedometer with LCD	3"	50 knots	781017SDFB
Fuel, Primary	2"	E-F	781019SDFB
Fuel, Secondary	2"	E-F	781020SDFB
Voltmeter	2"	10-16 VDC	781021SDFB
Temperature	2"	240 F	781022SDFB
Temperature	2"	120 C	781023SDFB
Water Pressure	2"	40 PSI	781024SDFB
Oil Pressure	2"	80 PSI	781028SDFB
Oil Pressure	2"	7 Bar	781031SDFB
Trim	2"	Up-Dn	781032SDFB
Tachometer to SmartCraft® harness	30"		69995K
Tachometer to NMEA 2000® harness	30"		69996K
Tachometer to Speedo harness	48"		69997K
2" gauge to another gauge harness			69999K
Terminator used when no Speedo is present			69998K

Note: While ordering the Veethree Matrix gauge set for your application, please select the appropriate Tachometer from the ordering information above. We offer separate Tachometers for Mercury SmartCraft® and NMEA 2000® engines. All the other gauges in the Matrix set are universal and can be used with either master Tachometer.

Part availability subject to change without notice

## ADDRESS

Veethree Electronics  
 2050 47th Terrace East  
 Bradenton, FL 34203

 941-538-7775

 sales@veethree.com



# Matrix

## Reliability

The heart of the Veethree electrical instrument is the Vector air-core movement. This simple, durable movement was pioneered for the harsh marine and industrial environments.

The Vector movement utilizes a permanent magnet that rotates magnetically in an electrical field. All coil windings and attachments are designed to withstand extremes in vibration, temperature, humidity and salt spray. The electrical studs are tin plated to minimize corrosion in the marine environment.


The magnet/spindle assembly is surrounded by a dampening fluid to reduce pointer bounce, especially those generated by fuel sender float fluctuation.

A temperature compensating resistor is utilized to minimize negative effects of temperature extremes on the gauge.

All coils are placed in an annealed metal bobbin can to prevent the magnetic field generated by an operating gauge from effecting other instruments on the dash such as compasses and other electronic equipment. Additionally this can protects the gauge itself from negative magnetic effects common in wiring harnesses.

### ADDRESS

Veethree Electronics  
2050 47th Terrace East  
Bradenton, FL 34203

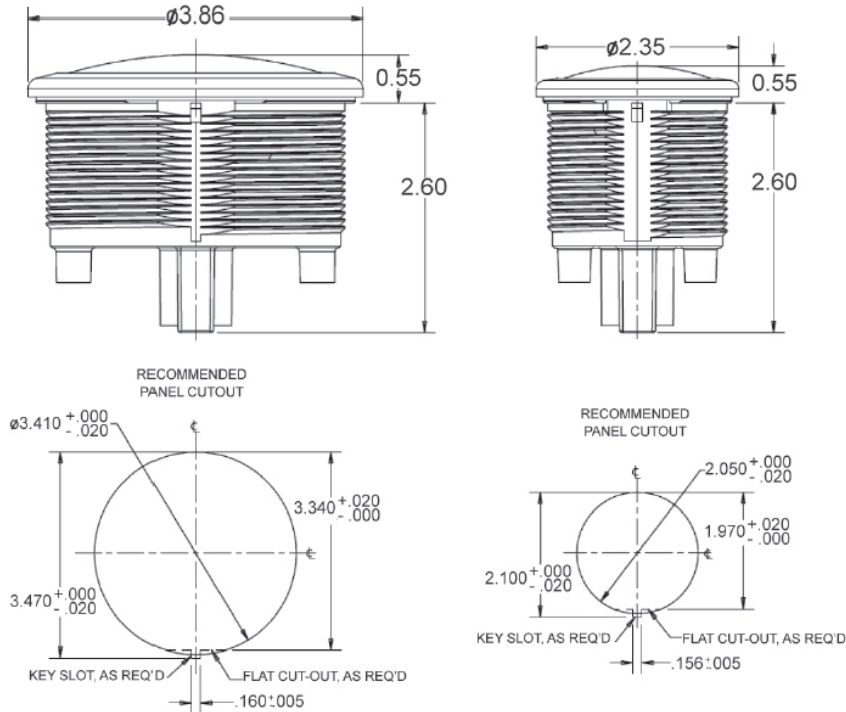
 941-538-7775

 sales@veethree.com

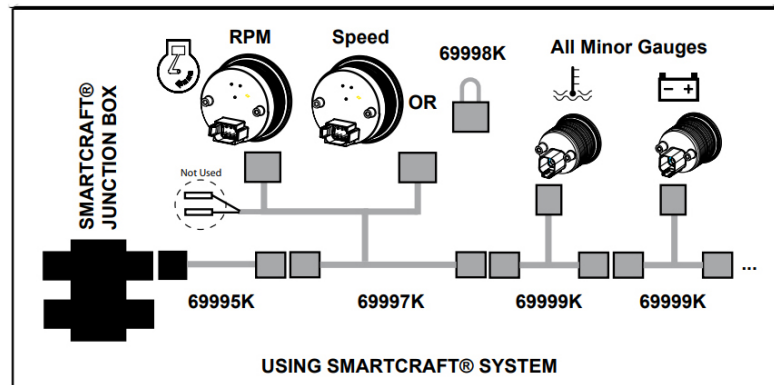
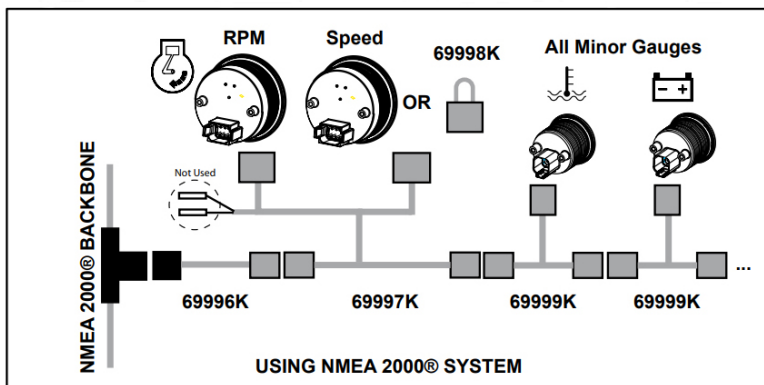


# Matrix

## Dimensions




## Single Function Connector Options



For multi-function connector options, please refer to the Resources section on [www.v3electronicsusa.com](http://www.v3electronicsusa.com)

### ADDRESS

Veethree Electronics  
2050 47th Terrace East  
Bradenton, FL 34203

 941-538-7775

 [sales@veethree.com](mailto:sales@veethree.com)

