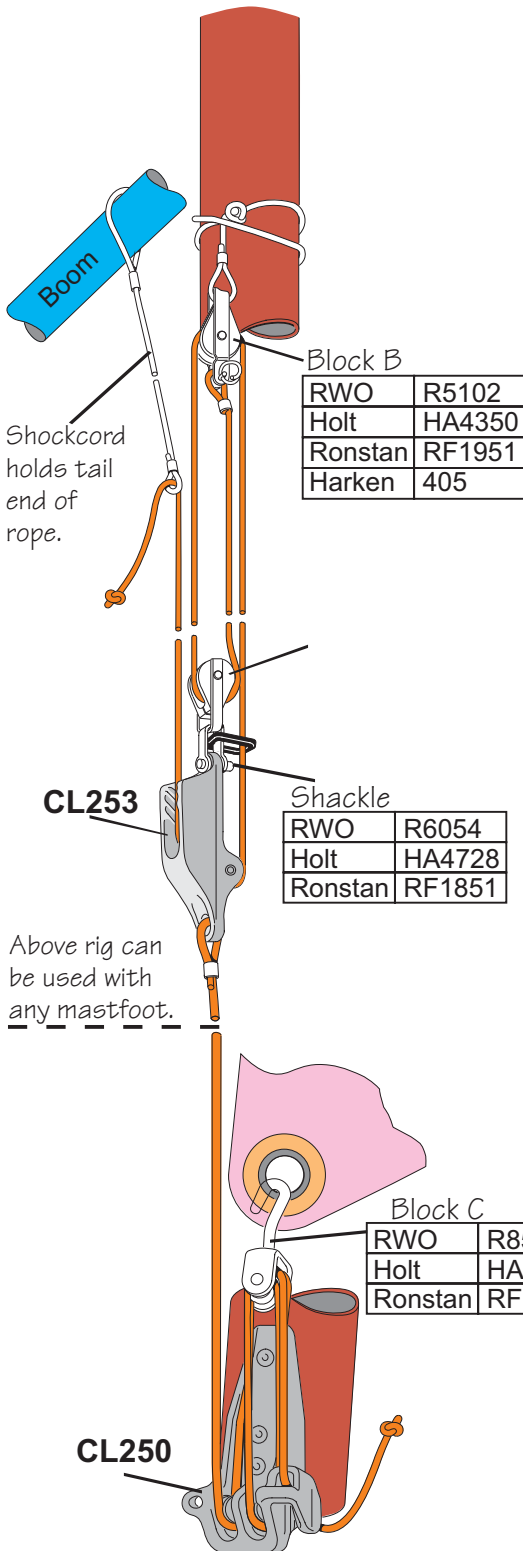


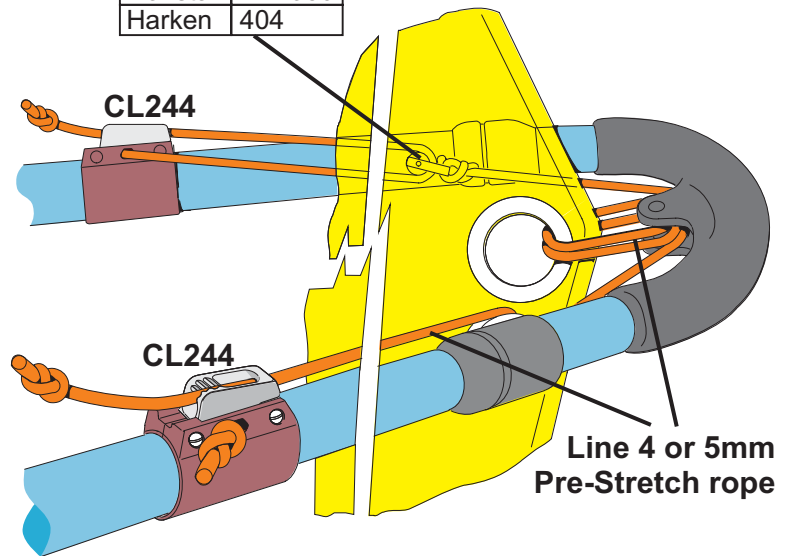
# Outhaul & Downhaul systems

Maximise your power with these outhaul and downhaul systems. Clamcleats Ltd manufactures and supplies cleats. Most windsurf shops will be able to supply pulley blocks, rope and shackles.



Block A

RWO	R5101
Holt	HA4250
Ronstan	RF1950
Harken	404



This photo and text is courtesy of Boards Magazine and shows another way of rigging boom ends using 2 pulley blocks.

Take the boom back end out and remove the black pulley and cleat set, to leave a flat surface where you can attach 2 of the single pulley blocks (e.g. R1532). Drill two holes through the flat surface, the same diameter as that through the pulleys. Make sure they are straight and the same distance apart. Place suitable stainless steel bolts through the pulleys and drilled holes. Use lock nuts to hold firmly in place. Take care not to leave sharp ends on the bolts that could damage you or your board.



CL244, angled out may make a more suitable angle to pull from.

Outhaul\_&Downhaul\_systems.pdf