

August 2009

AT A GLANCE

FEATURES

Pre-calibrated

Available in standard resistances to match Stewart Warner, VDO and AC resistance gauges

Standard 5 hole SAE mounting pattern

Available in wire wound or thick film resistor versions

Rugged design

Available with hollow or solid float designs

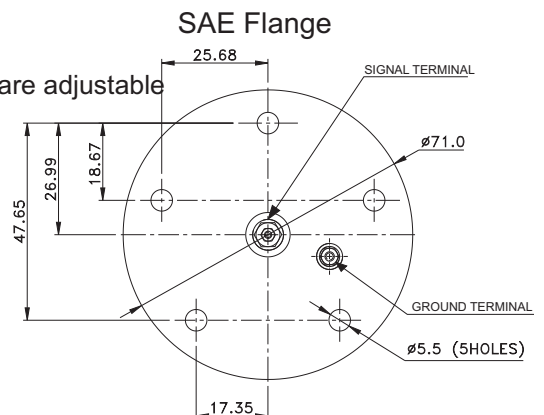
FUEL LEVEL SENDER

Veethree adjustable Fuel Level Senders are the preferred senders for heavy duty truck, farm and construction equipment applications where long-term performance under demanding conditions is required.

Twelve standard models are offered for tanks depths from 7 to 24 inches. Float arms are adjustable for varying swing lengths.

Features and Benefits

- Thick-film option for greater accuracy and longer life
- Solid float option for eliminating chances of float leakage
- Heavy duty SAE steel flange and extension plates



GENERAL SPECIFICATIONS

Mounting

Recommended for top mounting only

Accuracy

Resistance accuracy at empty +0%, -3%; at full +3%, -0% of full scale. System accuracy depends upon proper fitting of sender to tank, tank shape and indicator calibration.

Temperature

-40°F to 149°F, -40°C to 65°C

Vibration

Qualified at 4.2g, 10-2000-10Hz

Operating voltage

6 - 28V

Leak Test

Passes 41kpa ± 4kpa as per SAE J1810

MATERIAL OF CONSTRUCTION

Head

CRCA steel per ASTM A 1008

Support

CRCA steel per ASTM A 1008

Card Holder & Head Insulator

Injection-molded thermoplast plastic

Contact Spring

Phosphor Bronze spring as per BS:2870

Contact

Silver

Lever Wire

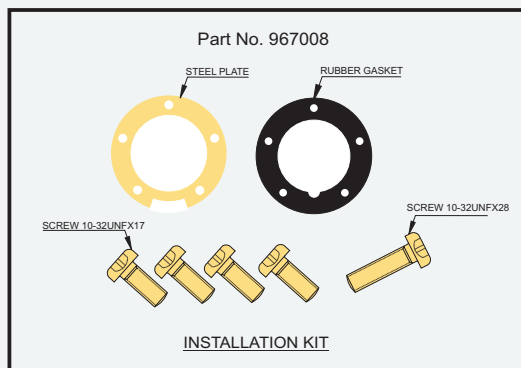
Spring Steel equivalent ASTM A 230

* Materials and specifications are subject to change without notice
Pressure ratings subject to change due to temperature and other environment considerations.

FUEL LEVEL SENDER

PART NO.	RESISTANCE (ohms)	FLOAT	RESISTIVE ELEMENT
317002	240 - 33	Hollow (Poly Oxymethalene)	Thick film resistor
317027	10 - 180	Hollow (Poly Oxymethalene)	Thick film resistor
317028	0 - 90	Hollow (Poly Oxymethalene)	Thick film resistor
317037	240 - 33	Solid (NBR)	Wire wound
317038	10 - 180	Solid (NBR)	Wire wound
317039	0 - 90	Solid (NBR)	Wire wound
317040	240 - 33	Solid (NBR)	Thick film resistor
317041	10 - 180	Solid (NBR)	Thick film resistor
317042	0 - 90	Solid (NBR)	Thick film resistor
317043	10 - 180	Hollow (Poly Oxymethalene)	Wire wound
317044	240 - 33	Hollow (Poly Oxymethalene)	Wire wound
317045	0 - 90	Hollow (Poly Oxymethalene)	Wire wound

Note: Special resistance values can be developed on request



Note:- To be ordered separately