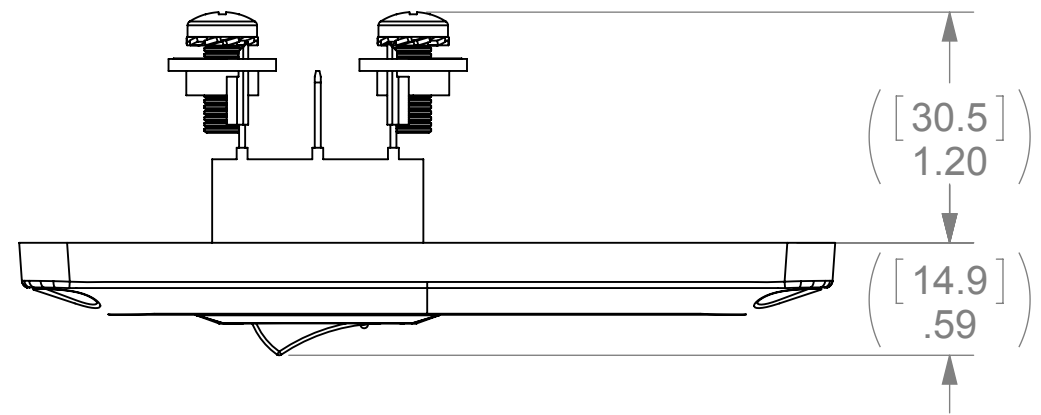
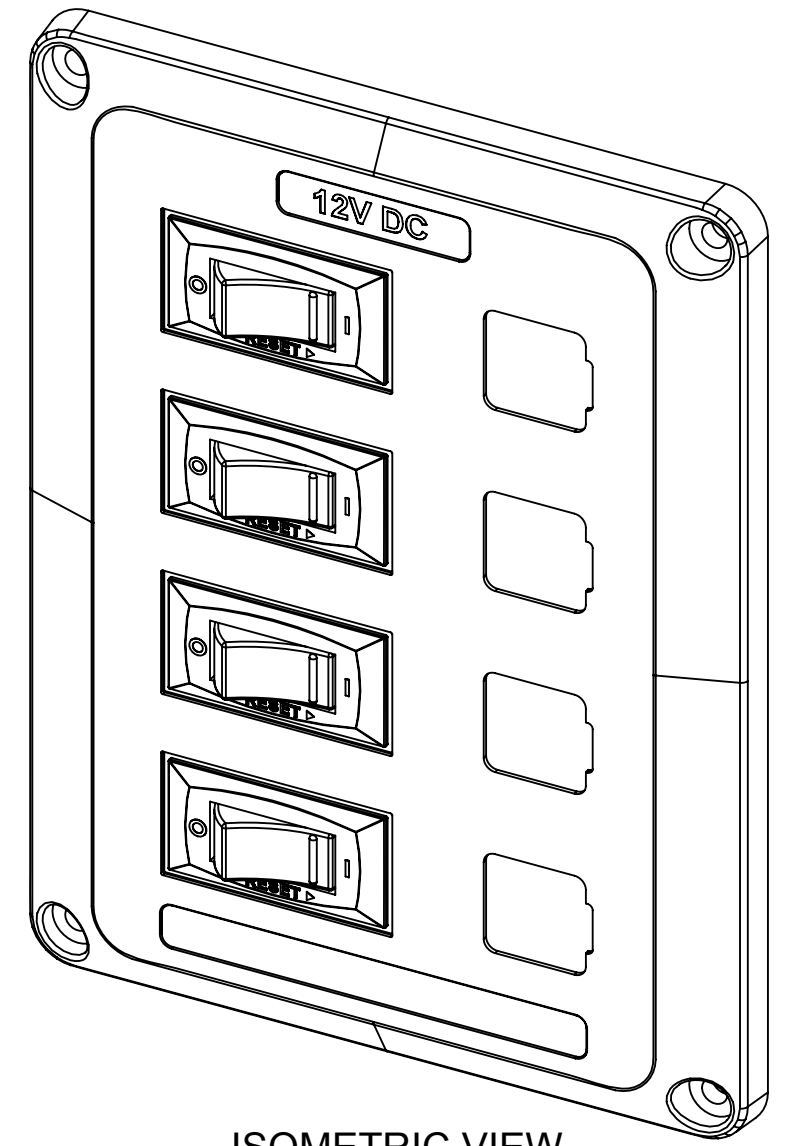


THIS DRAWING AND THE INFORMATION CONTAINED WITHIN IT ARE CONFIDENTIAL AND MAY NOT BE COPIED OR DISCLOSED WITHOUT THE WRITTEN PERMISSION OF BLUE SEA SYSTEMS.

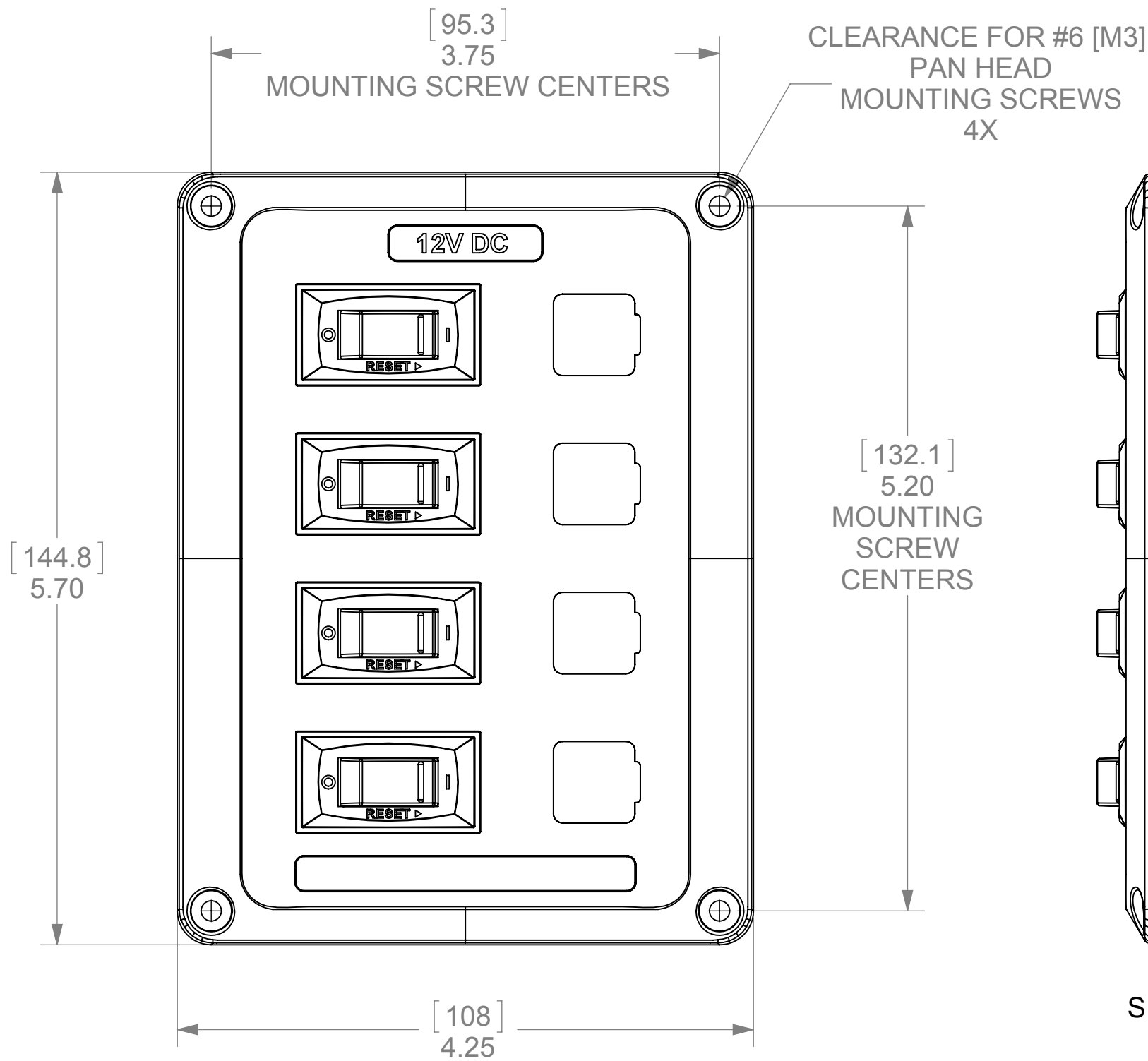
ZONE		REV.	DESCRIPTION	DATE	APPROVED
1		1	PRODUCTION RELEASE	08-26-2010	T.DYKAS



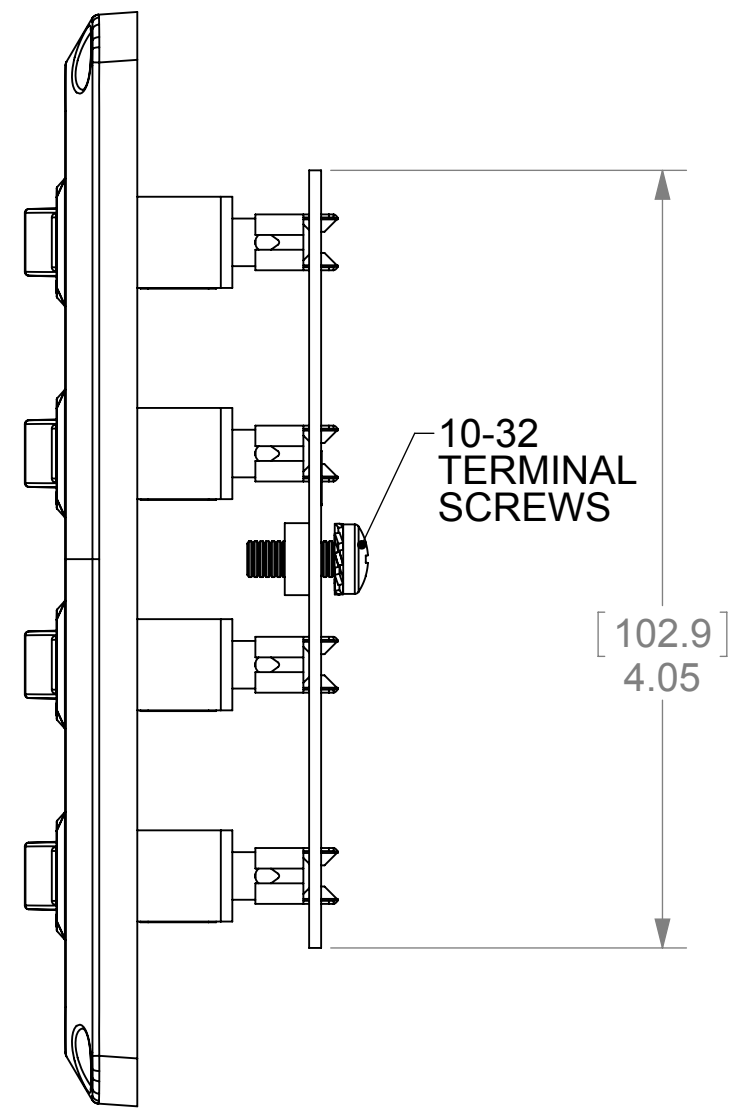
TOP VIEW



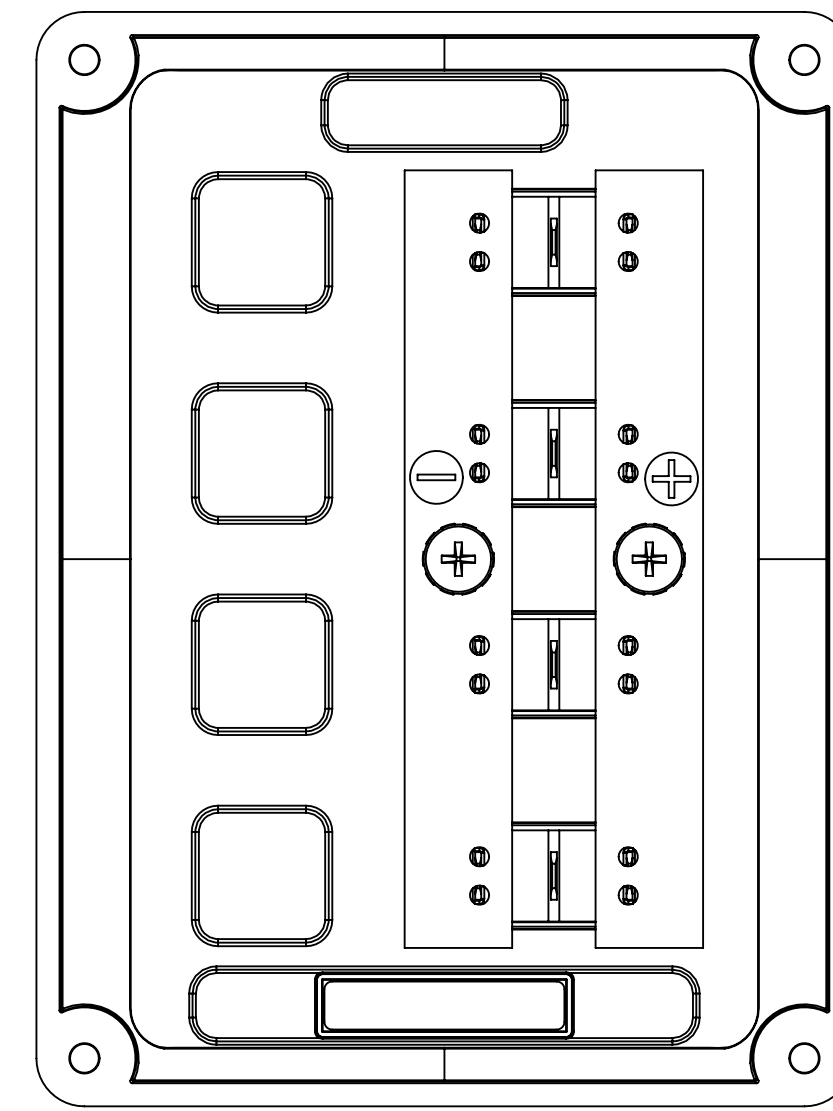
ISOMETRIC VIEW



FRONT VIEW



SIDE VIEW



BACK VIEW

THIRD ANGLE PROJECTION



DIMENSIONS ARE SHOWN IN INCHES AND [MILLIMETERS]. UNSPECIFIED TOLERANCES ARE:

	NAME	DATE
DRAWN	T.DYKAS	2010.02.09
CHECKED	-	-
-	-	-
-	-	-
-	-	-

MATERIAL --
FINISH --
DO NOT SCALE DRAWING

BLUE SEA SYSTEMS
425 Sequoia Drive Bellingham, WA 98226
Phone (360)738-8230 Fax (360)734-4195

Customer Drawing
Panel BelowDeck CB 4 Pos
Part Number 4350

SIZE	DWG. NO.	REV.
C	4350 BelowDeck CB Panel 4 Pos	1
SCALE 1:1	WEIGHT: POUNDS	SHEET 1 OF 1