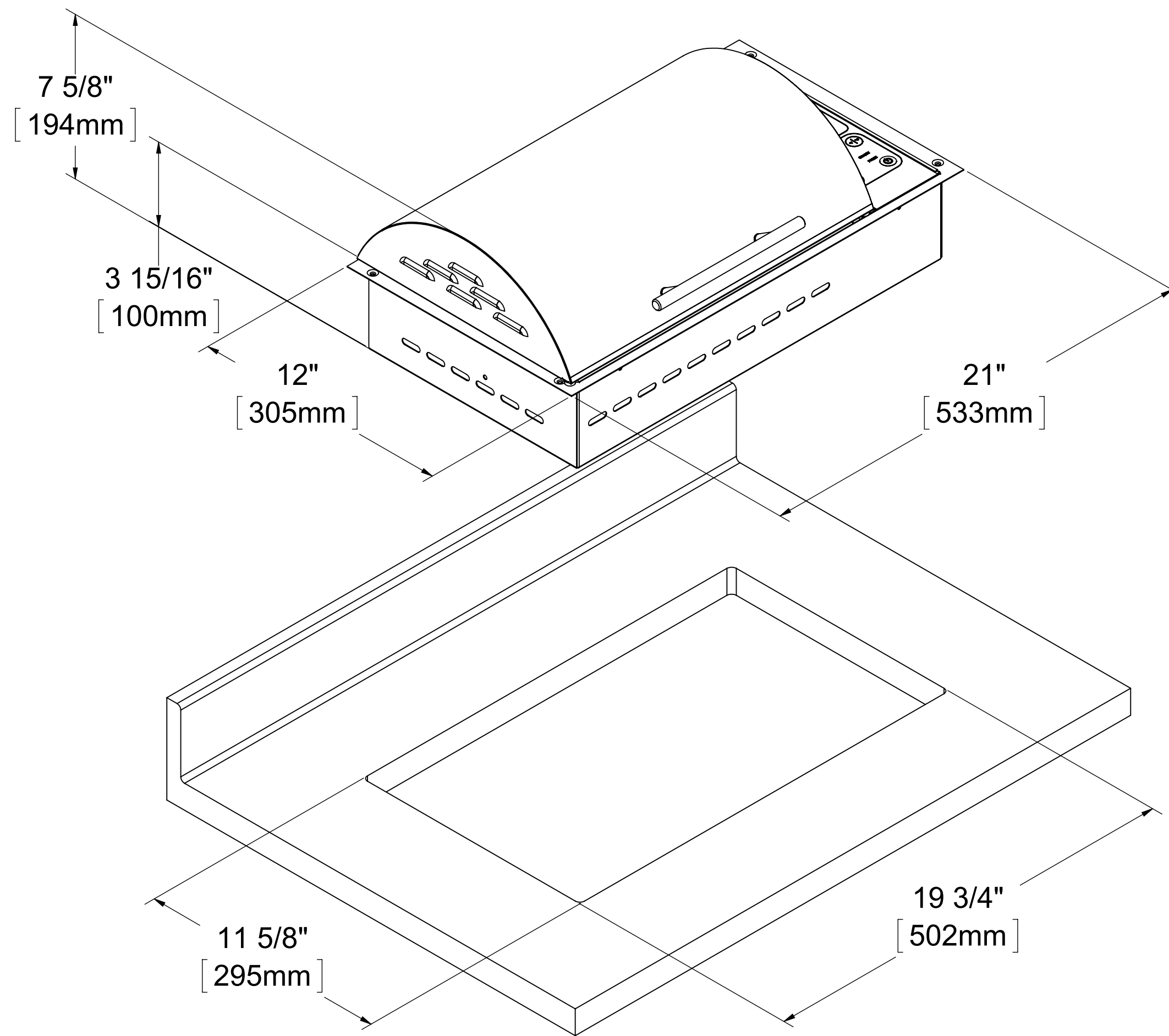


PROPRIETARY AND CONFIDENTIAL
 THE INFORMATION CONTAINED IN THIS DRAWING IS THE SOLE PROPERTY OF KENYON INTERNATIONAL. ANY REPRODUCTION IN PART OR AS A WHOLE WITHOUT THE WRITTEN PERMISSION OF KENYON INTERNATIONAL IS PROHIBITED.

UNLESS OTHERWISE SPECIFIED:		NAME	DATE	KENYON INTERNATIONAL 8 HERITAGE PARK - PO BOX 925 CLINTON, CT 06413	
DIMENSIONS ARE IN INCHES		DRAWN	GSP	10/26/17	TITLE: SINGLE ZONE INTELLIKEN FLORIDIAN LID
TOLERANCES:		CHECKED			
ANGULAR: MA CH ± 0.50°		ENG APPR.			
BEND ± 1.00°		MFG APPR.			
TWO PLACE DECIMAL ± .010"		Q.A.			SIZE DWG. NO. REV
THREE PLACE DECIMAL ± .005"		COMMENTS:			C B70580, B70581
INTERPRET GEOMETRIC TOLERANCING PER ANS/ASME Y14.5M-2009					SCALE: 1:1 WEIGHT: SHEET 1 OF 2
MATERIAL	FINISH				
NEXT ASSY	USED ON				
APPLICATION	DO NOT SCALE DRAWING				



PROPRIETARY AND CONFIDENTIAL
 THE INFORMATION CONTAINED IN THIS DRAWING IS THE SOLE PROPERTY OF KENYON INTERNATIONAL. ANY REPRODUCTION IN PART OR AS A WHOLE WITHOUT THE WRITTEN PERMISSION OF KENYON INTERNATIONAL IS PROHIBITED.

UNLESS OTHERWISE SPECIFIED:		NAME	DATE	KENYON INTERNATIONAL 8 HERITAGE PARK - PO BOX 925 CLINTON, CT 06413	
DIMENSIONS ARE IN INCHES		DRAWN		TITLE:	
TOLERANCES:		CHECKED			
ANGULAR: MACH $\pm 0.50^\circ$		ENG APPR.			
BEND $\pm 1.00^\circ$		MFG APPR.			
TWO PLACE DECIMAL $\pm .010$		Q.A.		SIZE DWG. NO. REV	
THREE PLACE DECIMAL $\pm .005$		COMMENTS:		C B70580 & B70581	
INTERPRET GEOMETRIC TOLERANCING PER ANS/ASME Y14.5M-2009				SCALE: 1:1 WEIGHT: SHEET 2 OF 2	
MATERIAL					
FINISH					
NEXT ASSY	USED ON				
APPLICATION		DO NOT SCALE DRAWING			