

## AQ-SPK6.5-4LW 6.5" FULL RANGE CO-AXIAL WATERPROOF SPEAKER



White, black or chrome grill available with blue LED cone illumination

White: AQ-SPK6.5-4LW

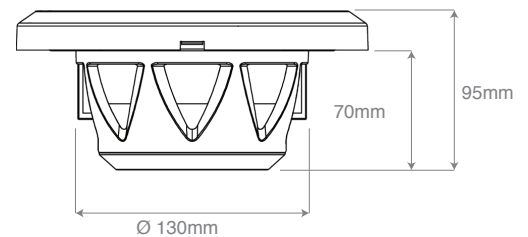
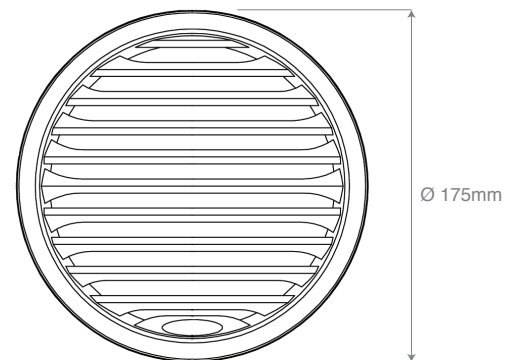
Black: AQ-SPK6.5-4LB

Chrome: AQ-SPK6.5-4LC

### SPECIFICATIONS

Type:	Full-range, co-axial waterproof speaker
Cone Size:	6.5"
Tweeter Size:	13mm
Outside Grill Diameter:	175mm
Mounting Hole Diameter:	130mm
Mounting Depth:	70mm
Impedance:	4 Ohm
Frequency Response:	52Hz - 20,000 Hz
Power (Total):	200W (2x 100W)
Power (RMS):	100W (2x 50W)
Waterproof:	Yes
Grill Material:	UV Plastic, 500hrs stable
Basket Material:	UV Plastic, 500hrs stable
Cone Material:	Polypropylene
Tweeter Material:	Neodymium
Rubber Surround Material:	Non-corrosive rubber
Magnet Material:	Ferrite
Magnet Protection:	Plastic water guard
Weight (single speaker):	904g
Certification	RoHS, ASTM B117, ASTM D4329
Additional Features:	Available with White, Black or Chrome removable grill
	Blue LED cone illumination
	Stainless Steel mounting hardware

### DIMENSIONS



### Aquatic AV

282 Kinney Drive  
San Jose, CA 95112, USA

E-mail: info@aquaticav.com

US & Canada: 1 877 579 2782

International: +1 408 559 1668

Fax: +1 408 559 0125

www.aquaticav.com

Design and specification subject to change without notice.E&OE