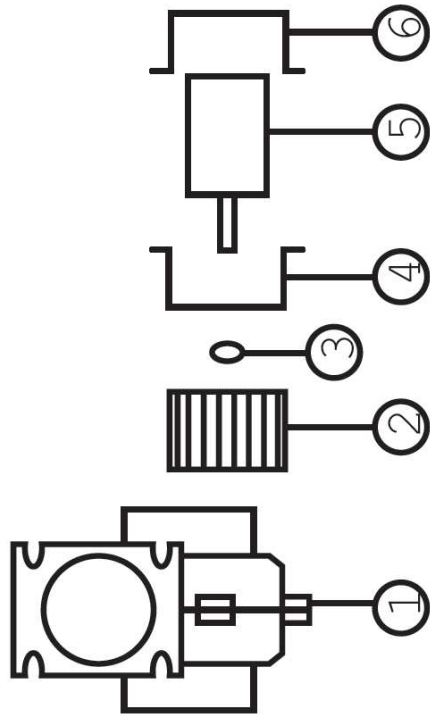
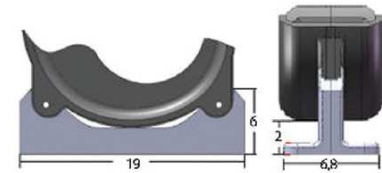
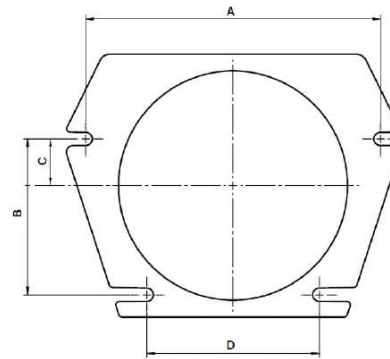
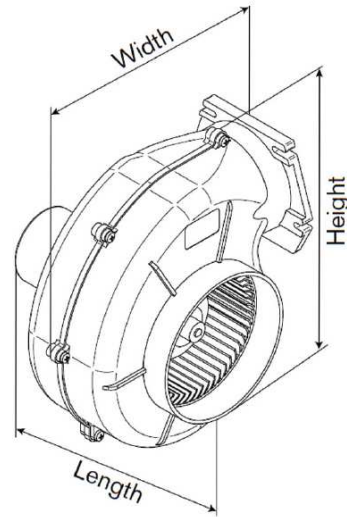


## BLOWER



DESCRIPTION	MODEL	WEIGHT	A	B	C	D	DIM. IN MM. H.X W. X L.
BLOWER 280 MC/h	FLANGE	0,9 KG	82	56	25	65	200 X 165 X 190
BLOWER 550-750 MC/H	FLANGE/FLEX	2,2 KG	130	70	20	80	200 X 257 X 150
BLOWER 1000 MC/H	FLANGE/FLEX	2,8 KG	130	70	20	80	200 X 257 X 180



### SPARE PARTS:

- 2) PL000BL004 Blower Fan 280 M3/H 2)
- 5) 6000001212-24 Motor Blower 12 V-24V 280 M3/H  
6000101412/ 24 Motor Blower 12 V.-24 V 750 M3/H
- 12) PL000BL013 Plastic Flexmount bracket (Model< 550 M3/H)

### SPARE GRIDS:

- 6000001215 Grate For 5500001212/24
- 10) PL000BL005 Reduction For 5500001212/24

### PL000BL012 Blower Fan (All Other Models)

- 6000101212-24 Motor Blower 12 V-24V- 550 M3/H
- 6000101624 Motor Blower 24 V1000 M3/H

### PL000BL017 Grate 120X120 mm.for all the other models