

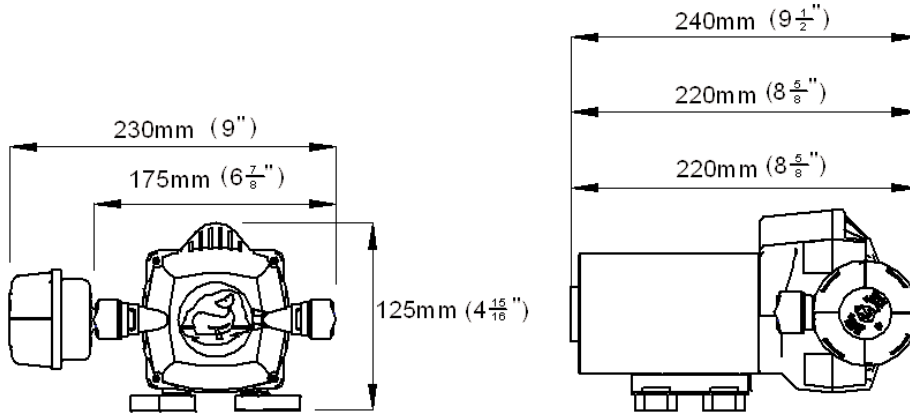
### Features

- Integral pressure switch (fully sealed)
- Low current draw
- Chemical resistant materials
- Automatic demand
- Runs dry without damage
- Ideal for a range of spot spraying applications



### Model Specifications

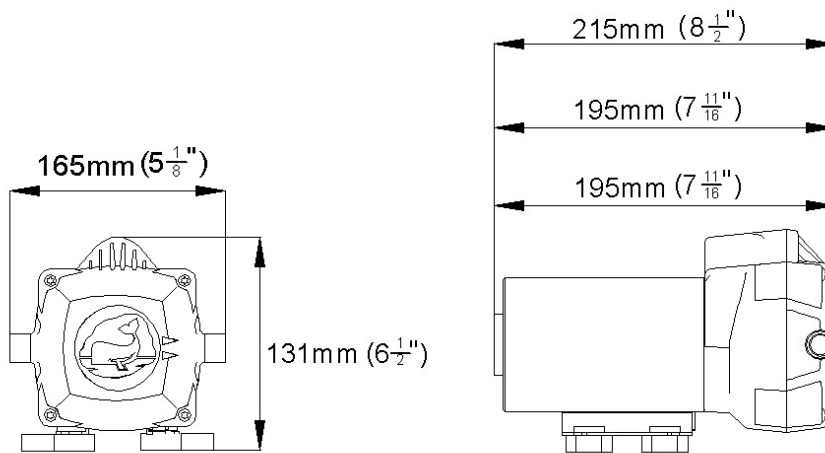
Product Code		AP0816	AP0818	AP1216	AP1218	AP1816	AP1818
Output @ Open Flow ( L / min)		8.0		12.0		18.0	
Voltage		12V dc					
Pressure Switch Setting		3.4 BAR (50 PSI)					
Reccomended Fuse Size		5 Amp (automotive)		8 Amp (automotive)		12 Amp (automotive)	
Weight		2.4 kg				2.9 kg	
Inlet Outlet Ports		Whale Quick Connect 15mm	1/2" BSP Male	Whale Quick Connect 15mm	1/2" BSP Male	Whale Quick Connect 15mm	1/2" BSP Male
Connectors Included		WX1584 x 2 WX1591 x 2 WX1592 x 1	None	WX1584 x 2 WX1591 x 2 WX1592 x 1	None	WX1584 x 2 WX1591 x 2 WX1592 x 1	None
Inlet Strainer Included		✓		✓		✓	
Material	Diaphragm	Santoprene®					
	Valves	Santoprene®					
	Seals	Viton®					
	Housing	Glass Filled Polypropylene					
Minimum Wire Size		2.5 mm <sup>2</sup>					



AP1816

AP1216

AP0816



AP1818

AP1218

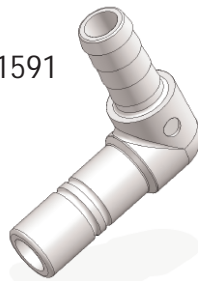
AP0818

WX1584



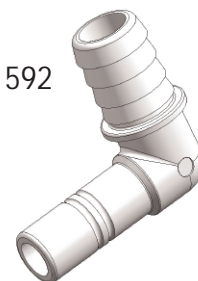
WHALE QUICK  
CONNECT - 1/2" BARB

WX1591



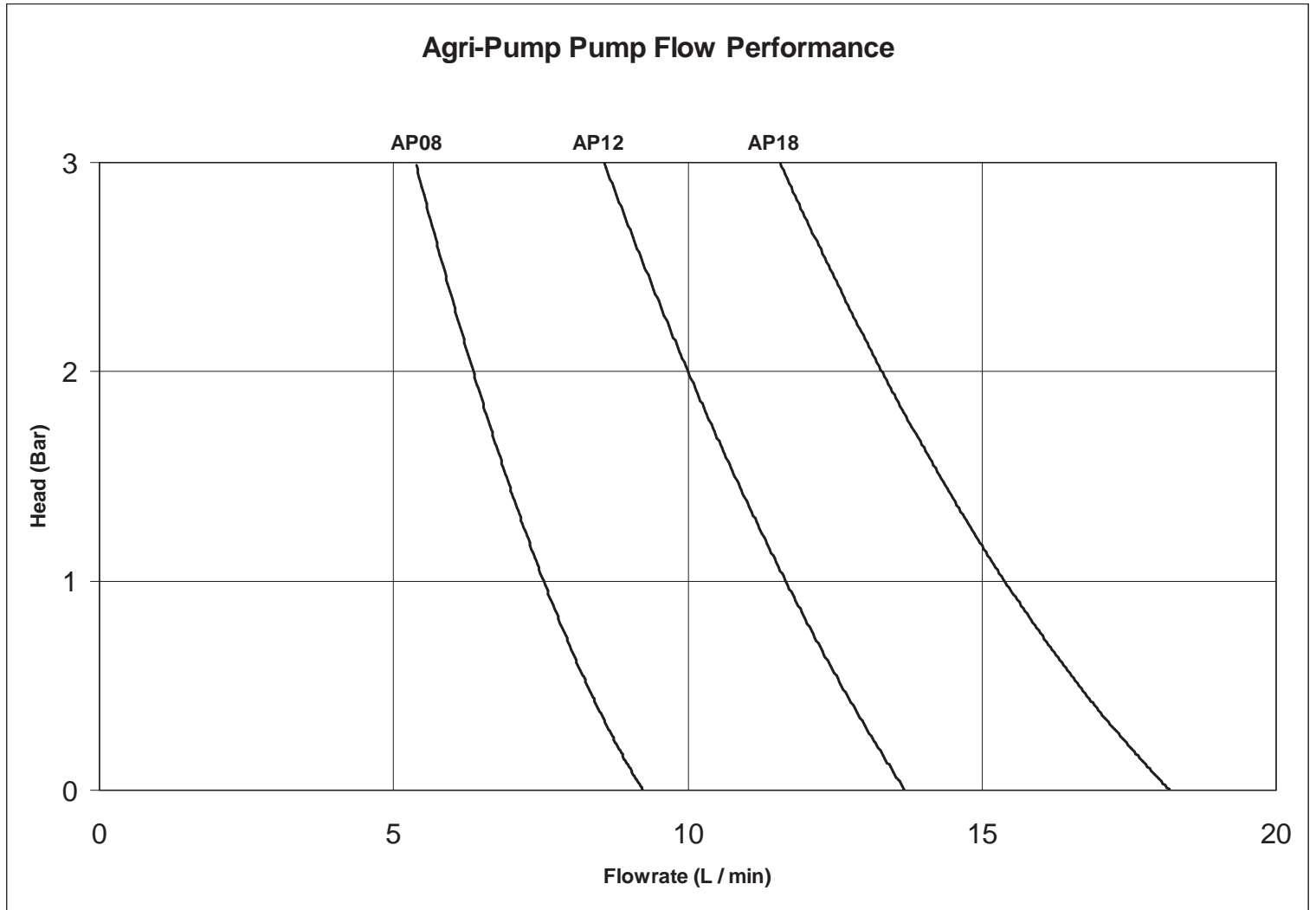
WHALE QUICK  
CONNECT - 1/2" BARB  
ELBOW

WX1592



WHALE QUICK  
CONNECT - 3/4" BARB  
ELBOW

## Performance Data



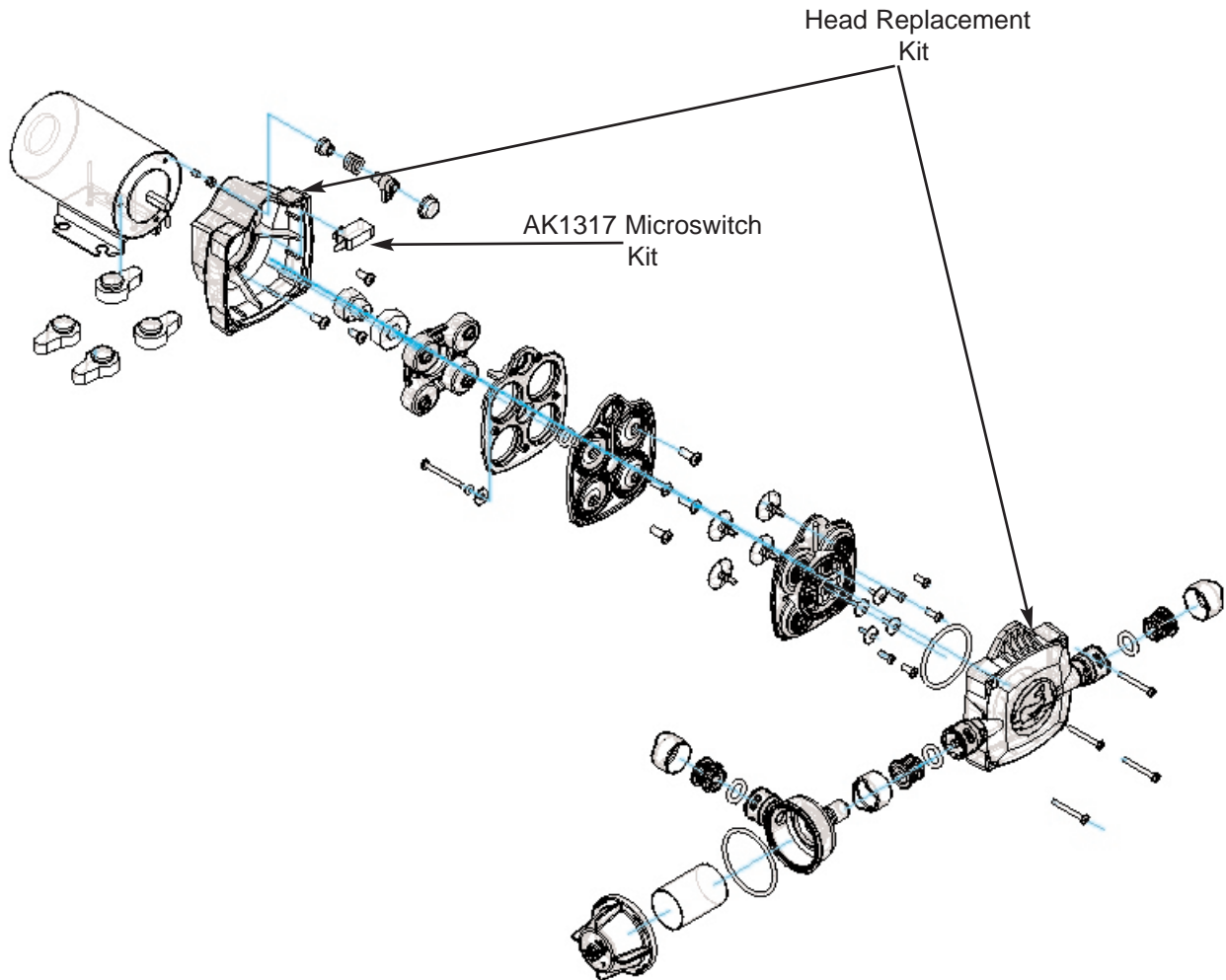
## Contact Whale

Whale Water Systems  
 Old Belfast Road  
 Bangor  
 N. Ireland  
 BT19 1LT

Tel; 02891 270351  
 Fax; 02891 466421

info@whalepumps.com  
 www.whalepumps.com

## Spare Parts Information



### AK1317 Service kit for Agri-pump microswitch

**Qty**    **Containing**  
1        Microswitch "

### AK1323 Service kit for Agri-pump head (15mm Quick Connect)

**Qty**    **Containing**  
1        Replacement head (15mm)

### AK1322 Service kit for Agri-pump head (1/2" BSP)

**Qty**    **Containing**  
1        Replacement head 1/2"

### AK1324 Service kit for Agri-pump head (3/4" BSP)

**Qty**    **Containing**  
1        Replacement head 3/4"