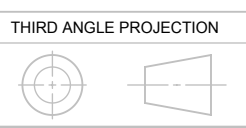
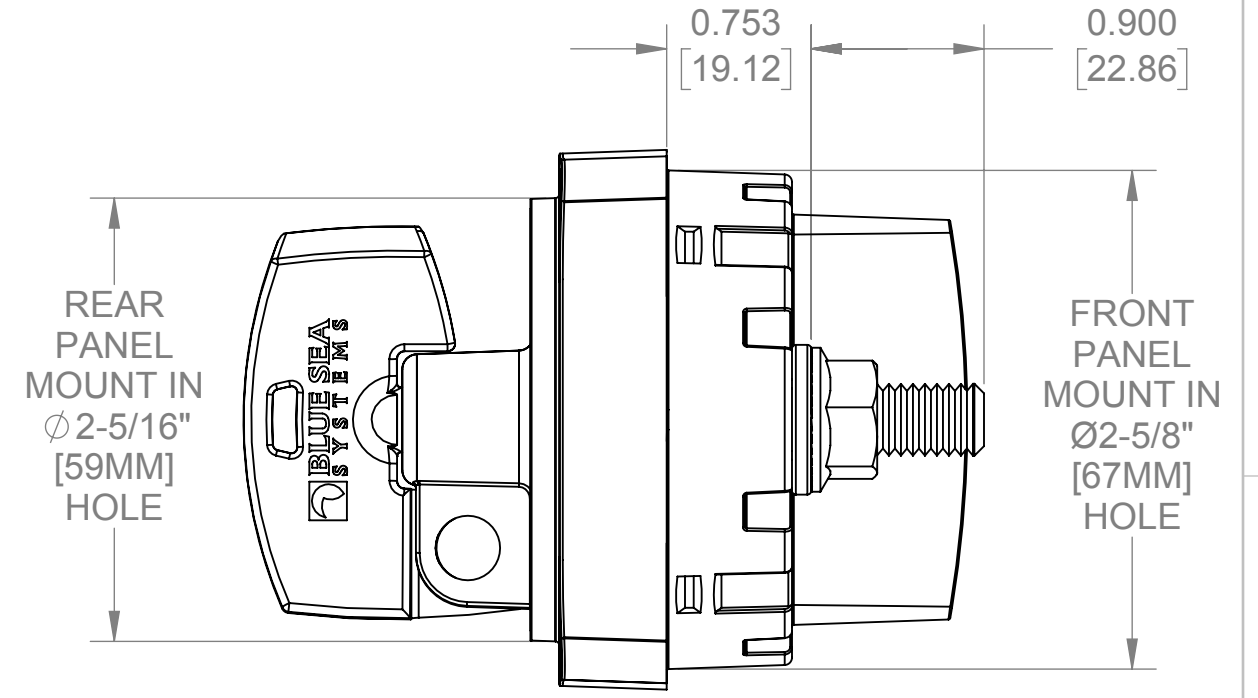
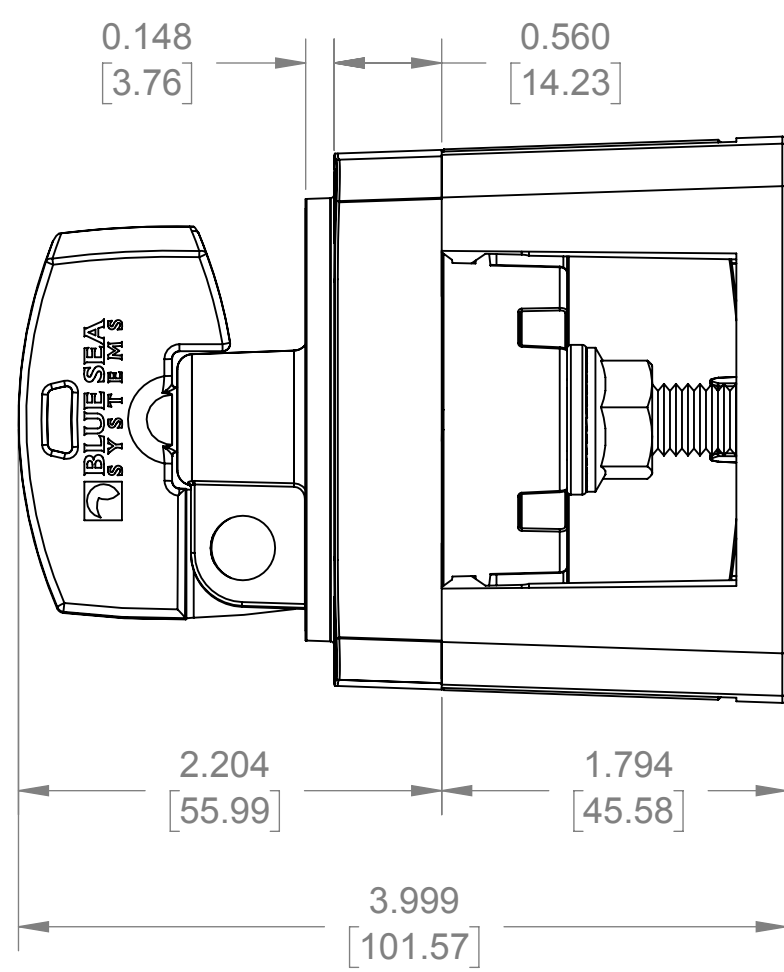
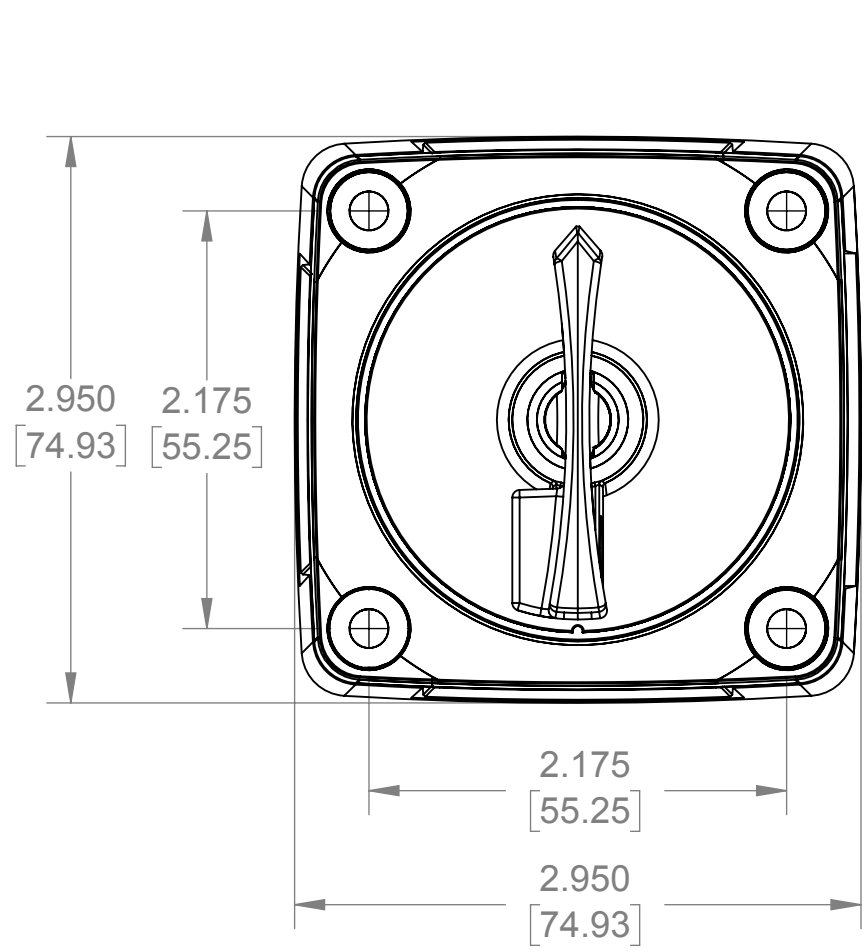


THIS DRAWING AND THE INFORMATION CONTAINED WITHIN IT ARE CONFIDENTIAL AND MAY NOT BE COPIED OR DISCLOSED WITHOUT THE WRITTEN PERMISSION OF BLUE SEA SYSTEMS.



 <b>BLUE SEA SYSTEMS</b> 425 Sequoia Drive Bellingham, WA 98226 Phone (360)738-8230 Fax (360)734-4195			
<b>M SERIES SWITCH, LOCKING</b> Part Numbers 6004, 6004200			
SIZE <b>B</b>	DWG. NO. <b>M SWITCH</b>	REV. <b>0</b>	
SCALE 1:1	WEIGHT: POUNDS	SHEET 3 OF 3	