

## ICE HELIX® PORTABLE CONVERSION KIT Installation Guide


532686-1\_A


### INSTALLATION OVERVIEW


Follow the instructions in this installation guide to install the ICE HELIX® control head in the portable shuttle and install the ICE transducer. We encourage you to read this guide before starting the installation, so you may understand the installation requirements.

**Technical Support:** If you find that any items are missing from your installation kit, visit our Web site at [humminbird.com](http://humminbird.com) or call Humminbird® Technical Support at **1-800-633-1468**.

**Supplies:** In addition to the installation kit, you will need a Phillips-head screwdriver, flat-head screwdriver, awl, hammer, and pliers.

 **WARNING!** Always make sure that conditions are safe before walking on the ice.

 **WARNING!** Do NOT use power tools to secure the hardware. We encourage you to read the installation instructions so you may understand the installation requirements.

 **NOTE:** Product supplies and features are subject to change without notice. This guide was written in English and may have been translated to another language. Humminbird is not responsible for incorrect translations or discrepancies between documents.

### INSTALLATION PREPARATION


#### Portable Conversion Kit

You must first un-install the control head from its fixed mounting position before performing the portable installation instructions described in this guide.


1. Disconnect the cables from the control head installed on your boat.
2. Loosen the gimbal knobs and slide the control head out of the gimbal bracket.

#### Charging the Battery

You should fully charge your battery before using it for the first time to ensure peak performance.

 **NOTE:** Portable Conversion Kits do not include a battery or battery charger.

1. Charge the battery according to the battery manufacturer's specifications.
2. Slide the battery terminal adapter over each spade terminal.

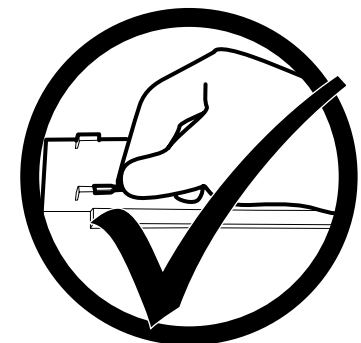
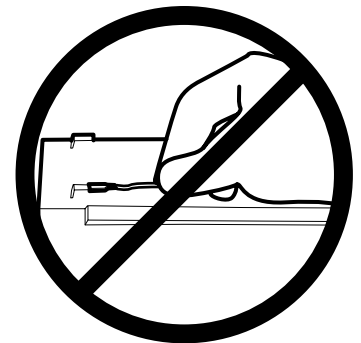
 **CAUTION!** Do not pull on the battery or charger cables when you are trying to connect them or disconnect them from the battery terminals. Push or pull gently on the spade terminals instead. If the connector feels tight, use a slight wiggling motion to slide the spade connector into place on the terminal.

#### Testing the Transducer

Prior to installation, test the transducer to make sure that no damage occurred during shipping.

1. Connect the power cable to the control head and the battery terminal adapter [see **Connecting Power**].
2. Connect the transducer cable to the control head [see **Installing the Transducer**].
3. Lower the transducer into the ice hole.
4. **Power On:** Press the POWER key. While the Title screen is shown on the display, press the MENU key. Select Normal mode, and press the RIGHT cursor key to start Normal mode.

#### Handling the Spade Terminals



## ICE HELIX® PORTABLE CONVERSION KIT Installation Guide

532686-1\_A

5. **Main Menu:** Press the MENU key twice. Select the Sonar tab.
6. Select Ice Fishing Mode, and press the RIGHT cursor key to turn Ice Fishing mode On.  
If the transducer is working properly, you will see the bottom on the sonar view.
7. **Power Off:** Press and hold the POWER key.
8. **Disconnect Cables:** Disconnect the transducer and power cable from the control head. Disconnect the power cable terminals from the battery until the installation is completed and you're ready to fish.

### ICE HELIX PORTABLE SHUTTLE ASSEMBLY

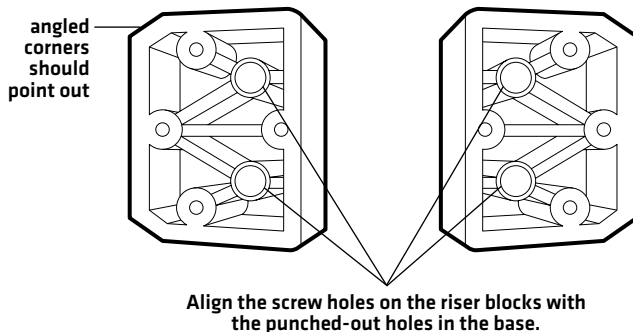
Perform the portable shuttle assembly tasks in order, referring to the step-by-step procedures in each section.

#### 1 | Assembling the Portable Base

In this procedure, you will assemble the portable shuttle.

1. Turn over the base, and locate the **4 holes labeled D**.
2. Use a screwdriver (or an awl) with a hammer to punch out the selected mounting holes.
3. Turn the base right side up.
4. Install the riser blocks on the portable base using the following guidelines:
  - Line up the holes on the riser blocks with the holes you punched out of the base in step 2.
  - Align the riser blocks so that the wider end of each block is on the base. The narrow end of each riser block should be facing up. The angled corners on the riser blocks should be facing out.
  - See the illustrations *Aligning the Riser Blocks* and *Installing the Riser Blocks*.

#### Aligning the Riser Blocks

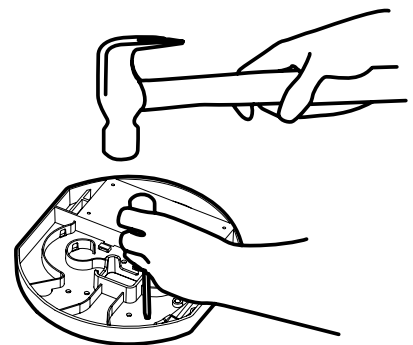


5. Secure the riser blocks to the base with the four included #8-15 x 3/4" screws.  
See the illustration *Installing the Riser Blocks*. Hand-tighten only!

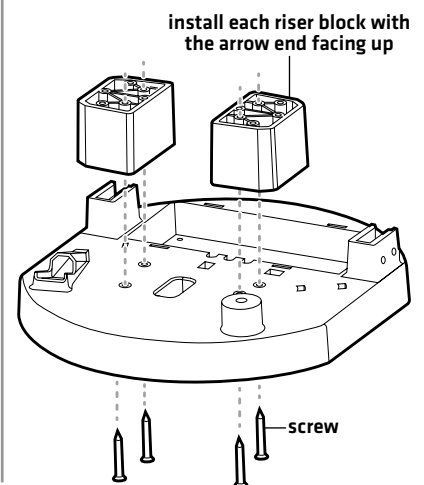
**CAUTION!** Do not use a high speed driver on this combination of fasteners. **Hand-tighten only!**

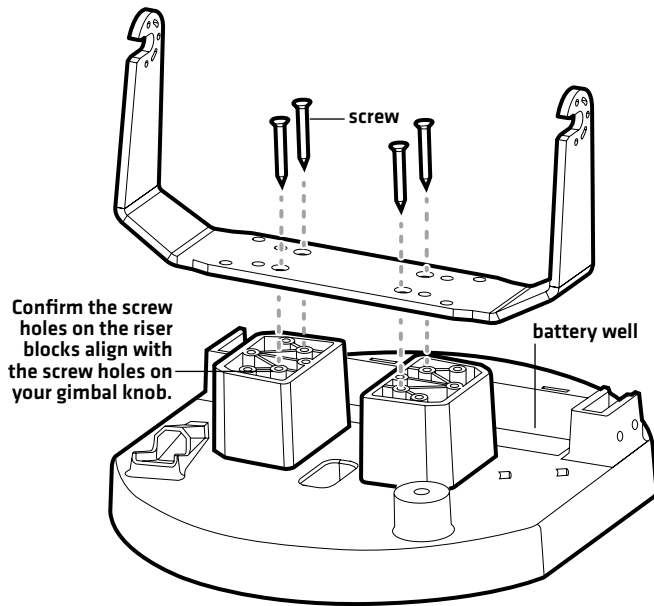
6. Line up the mounting holes on the control head gimbal bracket with the screw holes on the top of the riser blocks. There may be additional, unused mounting holes on the gimbal bracket. Make sure the opening in the gimbal bracket arms faces away from the battery well on the base.

#### Punching Holes




#### Installing the Riser Blocks



**Installing the Gimbal Bracket on the Riser Blocks**



7. Using a Phillips-head screwdriver, secure the gimbal bracket with the four included #8 x 1 1/4" screws. **Hand-tighten only!**
8. Install the handle onto the base, so that the curved part of the handle faces towards the back of the base, towards the battery well.

 **NOTE:** The handle is keyed so that it only fits onto the base in one way.

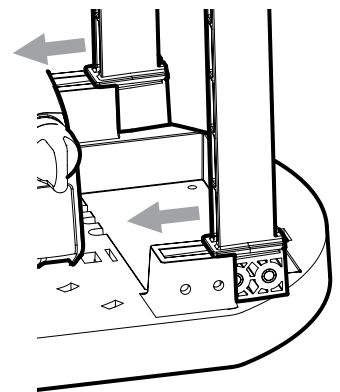
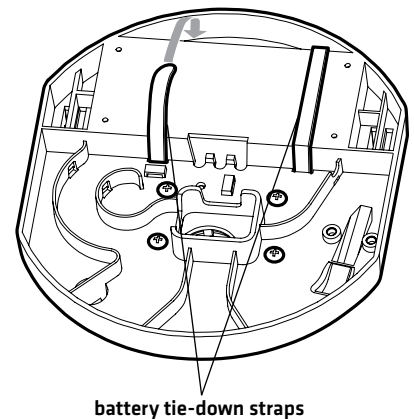
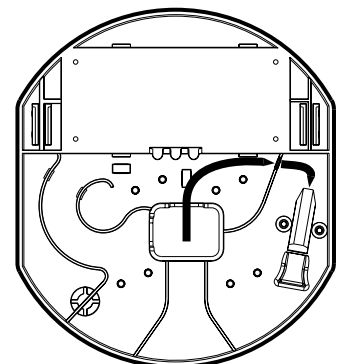
9. Install the four included #8-32 x 7/16" screws, two on each side of the handle, to attach the handle to the base. **Hand-tighten only!**

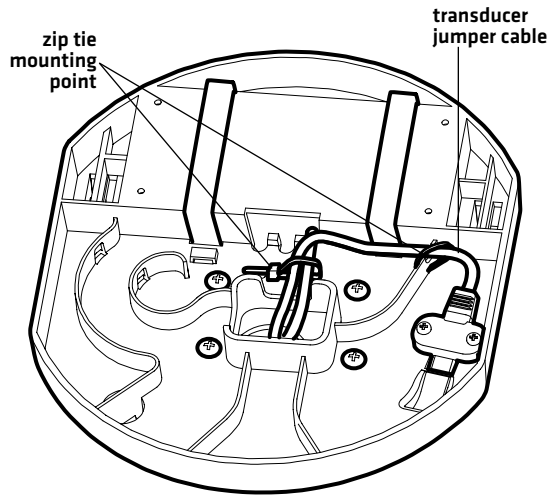
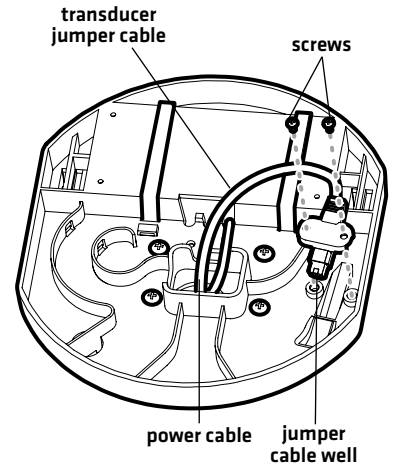
## 2 | Routing the Cables in the Base

In this procedure, you will route the power and transducer jumper cables on the underside of the base and attach the tie-down straps that will be used to secure the battery to the base in a later procedure.

 **NOTE:** As you route the cables, make sure you leave enough cable length on the surface of the portable base to reconnect the cables to the control head later in the installation.

1. Turn the base upside down.
2. Thread the two included battery tie-down straps from the bottom of the base up through each side of the battery well, using the strap holes in the base. Make sure the soft side of the strap faces down.
3. Route the power cable and transducer jumper cable connector ends from under the base and up through the hole in the center of the base.
4. Insert the spade connector end of the power cable into the center slot of the battery well. [If you need to adjust the cable route, you can select a different slot.]
5. Route the transducer jumper cable to the jumper cable well as shown in the illustrations *Installing the Cables onto the Base* and *Transducer Jumper Cable Path*.
6. Fit the transducer jumper cable connector down into the jumper cable well and snap it into place. Insert the two #6-32 x 1/4" screws included to secure the transducer jumper connector and tighten them using a Phillips-head screwdriver. **Hand-tighten only!**
7. Adjust the cables as needed. Secure all cables to the base using the included zip ties at the points shown in the illustration *Tying Down the Cables*.

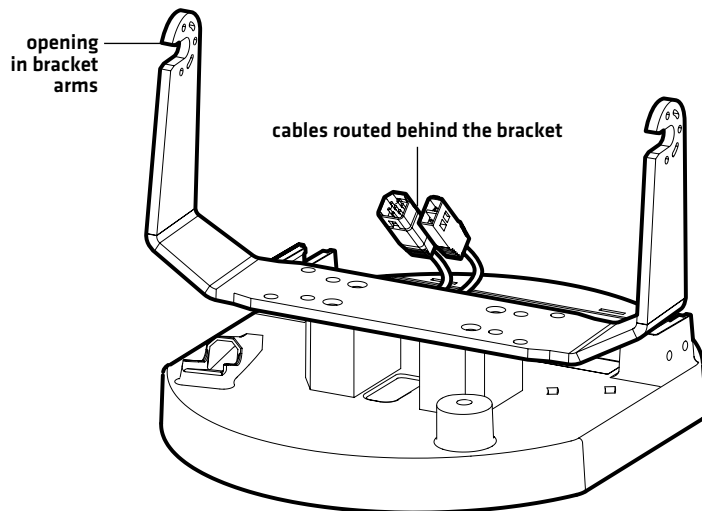
**Sliding in the Handle**

**Attaching the Battery Tie-Down Straps**

**Transducer Jumper Cable Path**


**Tying Down the Cables**

**Installing the Cables onto the Base**


- Turn the base right side up and pull up gently on the battery tie-down straps to remove the slack.

**NOTE:** Before you install the battery into the portable case, finish the assembly procedures and charge the battery according to the manufacturer's recommendations.

- Route the power cable and transducer jumper cable under the gimbal bracket. See the illustration *Portable Base Assembly*.

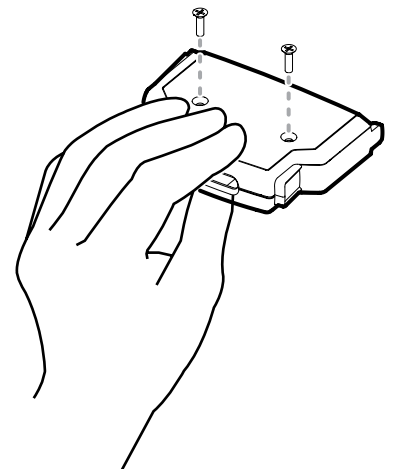
**Portable Base Assembly**

**3 | Assembling the Cable Tray**

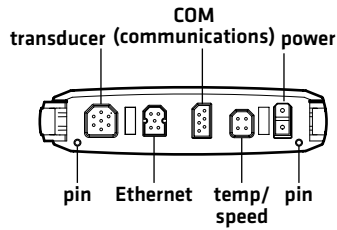
The cable tray is an important part of the control head installation. It secures the cables and protects them from potential damage.

- Use a Phillips-head screwdriver to remove the screws from the bottom of the cable tray.
- Hold the cable tray together and turn it over, so the Humminbird logo is facing up. Lift the cover and set it aside. See the illustration *Locating the Cable Tray Slots*.
- Insert each cable connector into the correct slots in the tray.

Each slot is shaped specifically for each connector, and insertion should be easy. Route the cables using the grooves in the tray.

**CAUTION!** It is important to place the connectors into the correct slots and right side up. See the illustration *Locating the Cable Tray Slots* for details.

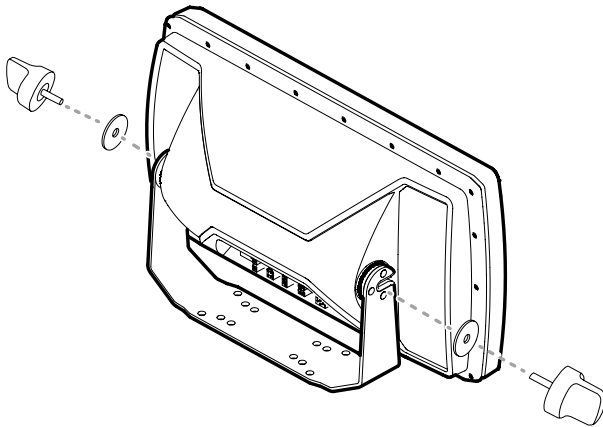
**Removing the Screws**


**Locating the Cable Tray Slots**


- Place the cover onto the tray. Hold the tray together and turn it over.  
If the cable tray arms fall out, see the illustration *Assembling the Cable Tray* to put them back in place.
- Install the screws in the holes on the bottom of the tray. **Hand-tighten only**. See the illustration *Removing the Screws* to replace the screws.
- Turn over the cable tray so the Humminbird logo is facing up. Confirm the cables hang straight, and untwist them if necessary.

**4 | Mounting the Control Head**

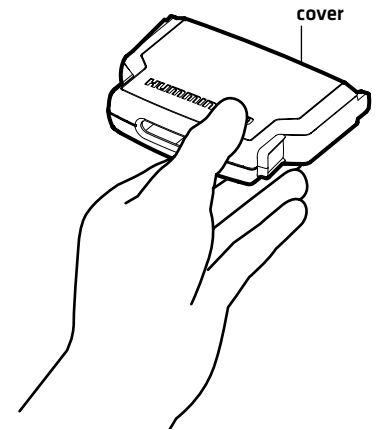
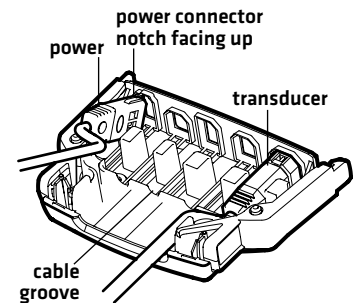
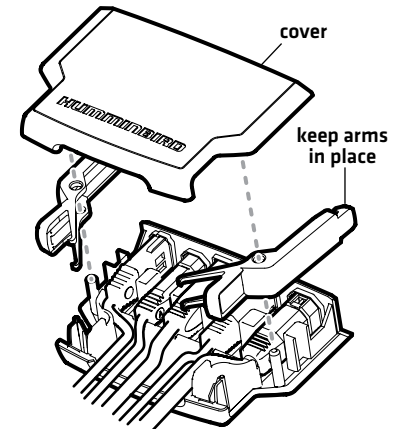
- Place 1 washer onto each gimbal knob.
- Install the gimbal knobs [with washers] into each side of the control head. Tighten the knobs just enough so you can slide the control head into the gimbal bracket arms.
- Slide the control head [with gimbal knobs installed] into the gimbal bracket arms.

**Assembling the Control Head and Gimbal Bracket**


- Line up the slots on the cable tray with the matching ports on the back of the control head. Line up the cable tray pins with the holes on the control head [see the illustration *Locating the Cable Tray Slots*].  
With the Humminbird logo facing up, plug the cable tray into the back of the control head. The cable tray clasps should click into place.
- Pull carefully on the cable tray to confirm the installation is secure. Make sure both clasps clicked into place.
- Adjust the control head viewing angle, and tighten the gimbal knobs so the control head is secured on the gimbal bracket. **Hand-tighten only!**


**5 | Installing the Battery**

Before proceeding with this procedure, confirm the battery is fully charged [see *Charging the Battery*].


**Turning over the Cable Tray**

**Inserting the Cable Connectors into the Cable Tray**

**Assembling the Cable Tray**


**ICE HELIX® PORTABLE CONVERSION KIT Installation Guide**


532686-1\_A

 **NOTE:** Portable Conversion Kits do not include a battery or battery charger.

1. Move the tie-down straps out of the way so that the battery well is fully accessible.

 **NOTE:** For ease of access to the battery well, move the tiedown straps to the side and secure them around the handle.

2. Center the foam pad on the battery well.
3. Place the battery on the foam pad and push the battery into the battery well. Make sure the power cable is fitted snugly into the slot in the well so that the battery does not rest on it, and that the foam pad fits evenly around the battery well edges.
4. Pull the two battery tie-down straps over the top of the battery and connect both ends of each strap over the top. Make sure that the straps are pulled tight around the battery and that the battery is seated securely in the battery well.


 **NOTE:** Do NOT connect the power cable to the battery at this time. You should wait until just before fishing to connect the power cable to the battery.

## 6 | Installing the Transducer

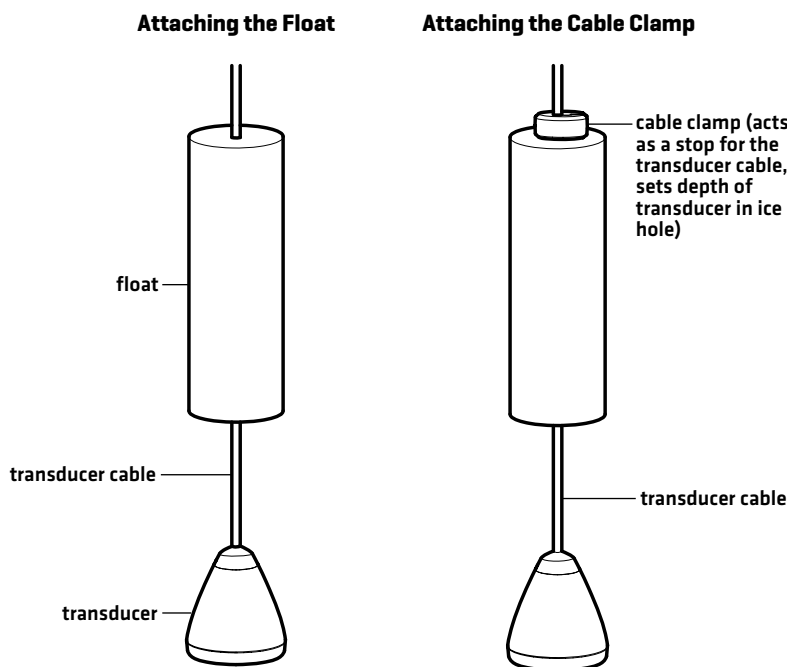
Use the instructions in this section to install the transducer.

 **WARNING!** Always make sure that conditions are safe before walking on the ice.

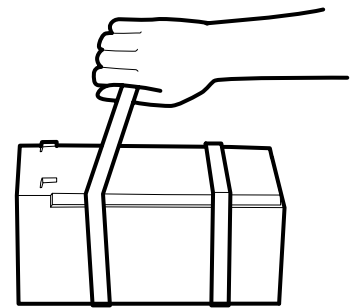
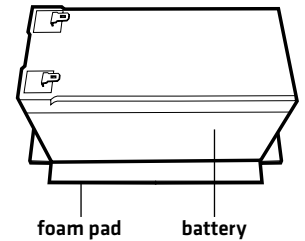
1. Attach your transducer float to the transducer cable by sliding the cable through the slit in the float [see the illustration *Attaching the Float*].
2. Position the float so that the transducer will be submerged in the water, just below the ice.

 **NOTE:** The transducer must be submerged in water for reliable transducer detection. The bottom of the transducer should be even with the bottom of the ice or hang slightly below the bottom of the ice.

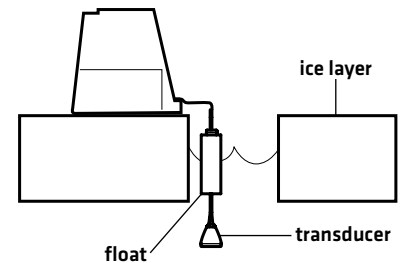
3. Once you know where you want to position your float, place the cable clamp onto the transducer cable, above the float. Make sure that the cable is taut, so that the transducer hangs straight down [see the illustration *Attaching the Cable Clamp*].



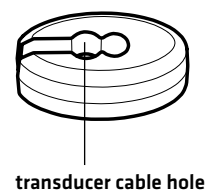
### Installing the Battery



### Positioning the Float



### Cable Clamp



4. Plug the transducer cable into the jumper port in the portable shuttle to the left of the control head.

## 7 | Connecting Power

1. Connect the spade clip on the red wire of the power cable to the red (+) terminal on the battery, and the spade clip on the black wire of the power cable to the black (-) terminal on the battery. Make sure the spade clips are snugly attached to the terminals.

## 8 | Setting up Ice Fishing on the Control Head

Use the following instructions to get started using the control head for ice fishing.

See your control head operations manual for operations instructions.

1. **Power On:** Press the POWER key.
2. While the Title screen is shown on the display, press the MENU key. Select Normal mode, and press the RIGHT Cursor key to start Normal mode.
3. **Main Menu:** Press the MENU key twice. Select the Sonar tab.
4. Select Ice Fishing Mode, and press the RIGHT cursor key to turn Ice Fishing mode On.
5. If the transducer is working properly, you will see the bottom on the sonar view.

**Confirm the Connected Transducer:** Depending on your control head model, you may have to select the connected transducer in the menu system. To confirm the transducer, go to Main Menu > Sonar > Connected Transducer.

## STOWING THE ICE TRANSDUCER

When you are done fishing, it is important to store the transducer and disconnect power.

1. Remove the transducer from the water, and wipe it dry.
2. Tuck the float under the control head.
3. **Disconnect Power:** Unplug the power cable when not in use.



**CAUTION!** Although the transducer cable is designed to be flexible in cold temperatures, you must store your cable correctly to avoid stressing it. Make sure it is coiled smoothly, with no kinks.

## SPECIFICATIONS

Power Requirement..... 12 Volt sealed lead acid battery up to 16 hours continuous operation

## CONTACT HUMMINBIRD


---


Web site: [humminbird.com](http://humminbird.com)


E-mail: [service@humminbird.com](mailto:service@humminbird.com)

Telephone: 1-800-633-1468

Direct Shipping: Humminbird  
Service Department  
678 Humminbird Lane  
Eufaula, AL 36027 USA

 **WARNING!** Disassembly and repair of this electronic unit should only be performed by authorized service personnel. Any modification of the serial number or attempt to repair the original equipment or accessories by unauthorized individuals will void the warranty.


 **NOTE:** For operations information, see the Operations Summary Guide and control head operations manual.

 **NOTE:** Product specifications and features are subject to change without notice.

**ENVIRONMENTAL COMPLIANCE STATEMENT:** It is the intention of Johnson Outdoors Marine Electronics, Inc. to be a responsible corporate citizen, operating in compliance with known and applicable environmental regulations, and a good neighbor in the communities where we make or sell our products.

**WEEE DIRECTIVE:** EU Directive 2002/96/EC "Waste of Electrical and Electronic Equipment Directive [WEEE]" impacts most distributors, sellers, and manufacturers of consumer electronics in the European Union. The WEEE Directive requires the producer of consumer electronics to take responsibility for the management of waste from their products to achieve environmentally responsible disposal during the product life cycle.

WEEE compliance may not be required in your location for electrical & electronic equipment (EEE), nor may it be required for EEE designed and intended as fixed or temporary installation in transportation vehicles such as automobiles, aircraft, and boats. In some European Union member states, these vehicles are considered outside of the scope of the Directive, and EEE for those applications can be considered excluded from the WEEE Directive requirement.

 This symbol [WEEE wheelee bin] on product indicates the product must not be disposed of with other household refuse. It must be disposed of and collected for recycling and recovery of waste EEE.

Johnson Outdoors Marine Electronics, Inc. will mark all EEE products in accordance with the WEEE Directive. It is our goal to comply in the collection, treatment, recovery, and environmentally sound disposal of those products; however, these requirements do vary within European Union member states. For more information about where you should dispose of your waste equipment for recycling and recovery and/or your European Union member state requirements, please contact your dealer or distributor from which your product was purchased.





## APERÇU DE L'INSTALLATION


Suivez les instructions de ce guide d'installation pour installer la tête de commande ICE HELIX dans le transporteur portable et installez le transducteur ICE. Nous vous encourageons à lire ce guide dans son intégralité afin de prendre connaissance des exigences d'installation.

**Support technique :** Si vous remarquez qu'il manque un article dans votre trousse d'installation, rendez-vous sur notre site Web à l'adresse [humminbird.com](http://humminbird.com), ou contactez le support technique Humminbird au **1-800-633-1468**.

**Matériel :** Outre la trousse d'installation, vous aurez besoin d'un tournevis à pointe cruciforme et d'un tournevis à tête plate, d'un poinçon, d'un marteau, et d'une pince.

 **AVERTISSEMENT!** Assurez-vous toujours des conditions de sécurité avant de marcher sur la glace.

 **AVERTISSEMENT!** N'utilisez PAS des outils électriques pour fixer la quincaillerie. Nous vous encourageons à lire les directives pour mieux comprendre les exigences d'installation.

 **REMARQUE :** Les procédures et les fonctionnalités décrites dans ce manuel sont susceptibles d'être modifiées à tout moment sans préavis. Ce manuel a été rédigé en anglais et a été traduit dans d'autres langues. Humminbird n'est pas responsable de la traduction inexacte ou des légères anomalies susceptibles d'être rencontrées dans les différents documents.

## PRÉPARATION DE L'INSTALLATION


### Trousse de conversion en unité portable

Vous devez d'abord désinstaller la tête de commande à partir de sa position de montage fixe avant de suivre les directives d'installation standard pour l'appareil portable, décrites dans cette notice.


1. Débranchez les câbles de la tête de commande installée sur le bateau.
2. Desserrez les molettes du cardan et retirez la tête de commande du support à cardan en la faisant glisser.

### Charger la batterie

Vous devez charger complètement votre batterie avant de l'utiliser pour la première fois afin d'assurer des performances optimales.

 **REMARQUE :** Les kits de conversion portables ne comprennent pas de batterie ni de chargeur de batterie.

1. Chargez la batterie conformément aux spécifications du fabricant.
2. Faites glisser l'adaptateur de borne de batterie sur chaque borne en fourche.

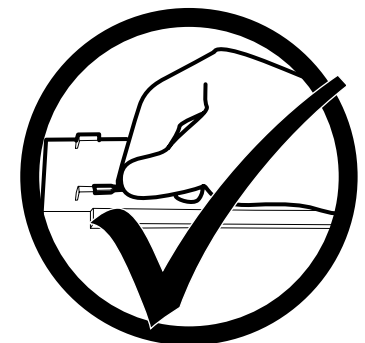
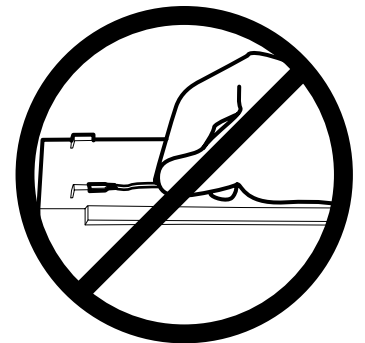
 **MISE EN GARDE!** Ne tirez pas sur les câbles de la batterie ou du chargeur en tentant de les brancher ou de les débrancher des bornes de la batterie. Il vaut mieux enfoncer ou tirer délicatement sur les bornes en fourche. Si le connecteur paraît trop serré, appliquez un léger mouvement oscillant pour faire glisser le connecteur en fourche sur la borne.

### Tester le transducteur

Testez le transducteur avant l'installation pour vous assurer qu'il n'a subi aucun dégât au cours de l'expédition.

1. Connectez le câble d'alimentation à la tête de commande et à l'adaptateur de borne de batterie (voir **Puissance de connexion**).
2. Connectez le câble du transducteur à la tête de commande. Voir **Raccordement du câble du transducteur**.
3. Lâchez le transducteur dans le trou dans la glace.
4. **Mise en marche :** Appuyez sur la touche Mise en marche (POWER). Pendant que l'écran Titre (Title) s'affiche, appuyez sur la touche MENU. Sélectionnez Normal, et appuyez sur la touche curseur DROITE.

### Manipulation des bornes en fourche



5. **Menu principal** : Appuyez deux fois sur la touche MENU. Sélectionnez Sonar.
6. Sélectionnez le mode de pêche sur glace et appuyez sur la touche de curseur DROITE pour activer le mode de pêche sur glace.  
Si le transducteur fonctionne correctement, vous verrez le fond en mode d'affichage sonar.
7. **Arrêt** : Maintenez enfoncée la touche Mise en marche [POWER].
8. **Débranchez les câbles** : Débranchez le câble d'alimentation et le câble du transducteur de la tête de commande. Déconnectez les bornes du câble d'alimentation de la batterie jusqu'à la fin de l'installation et jusqu'à ce que vous soyez prêt à pêcher.

## ENSEMBLE PORTEUR ICE HELIX

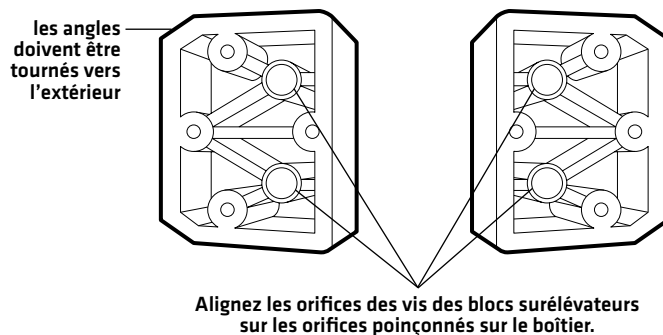
Vous devriez effectuer les tâches de montage du boîtier portable dans la séquence indiquée.

### 1 | Assemblage du boîtier portable

Dans cette procédure, vous allez assembler le support portable.

1. Retournez la base et localisez les **4 trous étiquetés D**.
2. Utilisez un tournevis ou un foret avec un marteau pour perforer les trous de montage sélectionnés.
3. Mettez la partie droite de la base vers le haut.
4. Installez les blocs surélévateurs sur le boîtier portable en respectant les directives suivantes :
  - Alignez les orifices des blocs surélévateurs sur les trous que vous avez poinçonnés sur le boîtier dans l'étape 2.
  - Alignez les blocs surélévateurs de façon à ce que l'extrémité la plus large de chaque bloc se trouve sur le boîtier. L'extrémité étroite de chaque bloc surélévateur doit être vers le haut. Les angles des blocs surélévateurs doivent être vers l'extérieur.
  - Consultez les illustrations *Alignement des blocs surélévateurs* et *Installation des blocs surélévateurs sur le boîtier*.

#### Alignement des blocs surélévateurs



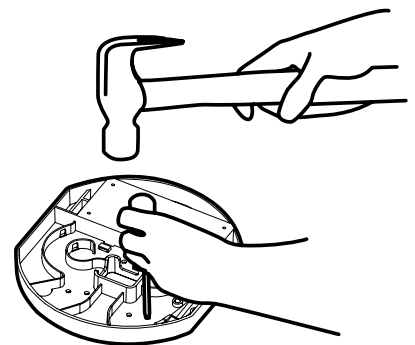
5. Fixer les blocs surélévateurs montante à la base avec les quatre inclus n° 8-15 x 3/4 po vis. Consultez l'illustration *Installation des blocs surélévateurs*. **Serrer à la main seulement!**

**⚠ MISE EN GARDE !** Ne pas utiliser de visseuse à grande vitesse avec cet ensemble de dispositifs de fixation. **Serrer à la main seulement.**

6. Alignez les orifices de montage du support du cardan sur les trous de vis qui se trouvent sur la partie supérieure des blocs surélévateurs. Il peut y avoir des trous de montage supplémentaires, inutilisés sur le support à cardan.

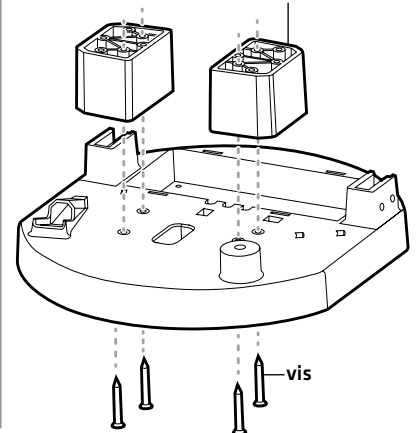
Vérifiez que l'ouverture des bras du support du cardan est dos au logement de la batterie sur la base.

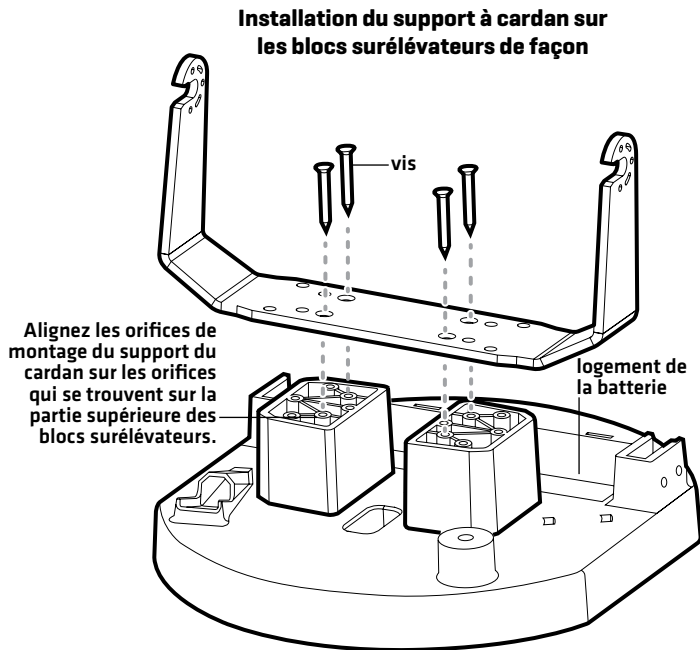
#### Perforation des trous



#### Installation des blocs surélévateurs

Installer les blocs surélévateurs de façon avec l'extrémité étroite vers le haut.





7. À l'aide d'un tournevis à tête cruciforme, fixez le support à cardan utilisant les quatre inclus n° 8 x 1 1/4 po vis. **Serrer à la main seulement!**
8. Installez la poignée sur le socle de façon à orienter la partie recourbée de la poignée vers la partie arrière du socle, en direction du logement de la batterie.



**REMARQUE :** La poignée est indentée et ne s'installe sur la base que d'une seule façon.

9. Utilisez les quatre vis n° 8-32 x 7/16 po (fournies), à raison de deux sur chaque côté de la poignée pour fixer celle-ci au socle. **Serrez la vis à la main seulement!**

## 2 | Acheminement des câbles dans la base

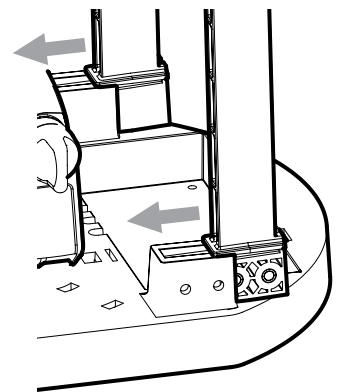
Suivez cette procédure pour acheminer le câble d'alimentation et le câble à cavalier du transducteur sur le dessous de la base, et attacher les sangles qui seront utilisées plus tard pour fixer la batterie à la base.



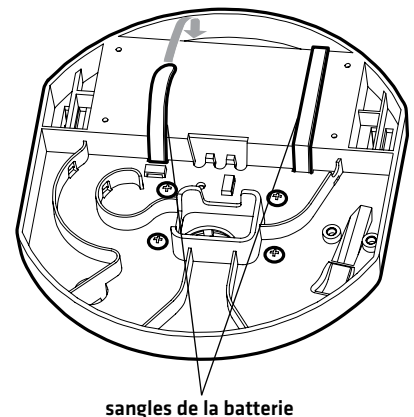
**REMARQUE :** Lorsque vous acheminez les câbles, vérifiez que vous laissez la longueur de câble suffisante sur la surface du boîtier portable pour pouvoir reconnecter ces câbles à la tête de commande ultérieurement au cours de l'installation.

1. Mettez le socle à l'envers.
2. Enfilez les deux sangles de batterie (fournies) depuis la base du socle à travers les trous des sangles de part et d'autre du logement de batterie. Assurez-vous que la face lisse de la sangle est orientée vers le bas.
3. Faites passer le câble d'alimentation et le câble de démarrage du transducteur du dessous de la base dans l'orifice du socle.
4. Insérez le câble d'alimentation dans la fente centrale du logement de la batterie. [Si vous avez besoin d'ajuster le parcours du câble, vous pouvez sélectionner un autre fente.]
5. Acheminez le câble à cavalier du transducteur comme indiqué dans les illustrations *Installation des câbles sur le socle* et *Parcours du câble à cavalier du transducteur*.
6. Ajustez le connecteur du câble à cavalier du transducteur vers le bas dans le logement du câble à cavalier et enclenchez-le en place. Insérez les deux vis n° 6-32 x 1/4 po incluses pour fixer le connecteur à cavalier du transducteur et serrez en utilisant un tournevis à tête cruciforme. **Serrez la vis à la main seulement!**
7. Ajuster les câbles au besoin. En utilisant les attaches à glissière incluses, fixez tous les câbles à la base aux points de montage indiqués dans l'illustration *Fixation des câbles*.

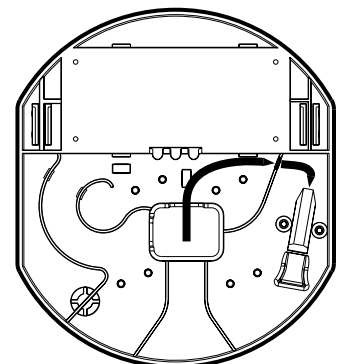
### Insertion de la poignée

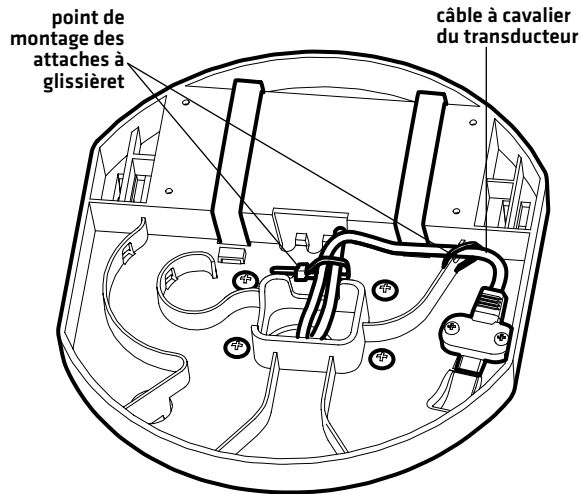


### Fixation des sangles de la batterie



### Parcours du câble à cavalier du transducteur



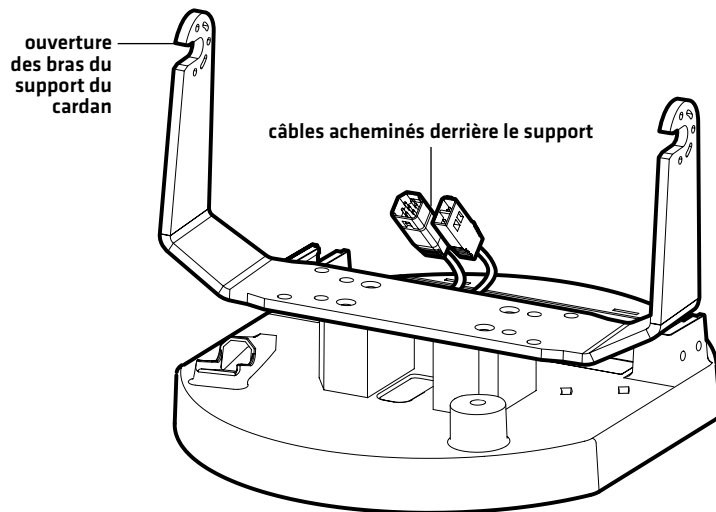
**Fixation des câbles**


8. Retournez la base à l'endroit et tirez sans forcer sur les sangles de la batterie pour éliminer le mou.



**REMARQUE :** Avant d'installer la batterie dans le boîtier portable, terminez les procédures d'assemblage et chargez la batterie conformément aux recommandations du fabricant.

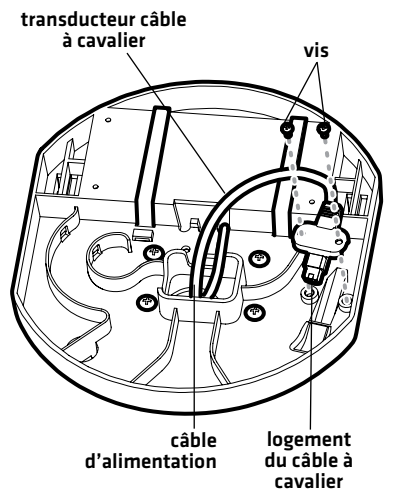
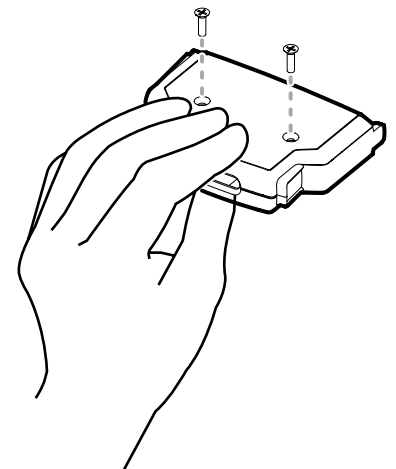
9. Faites passer le câble d'alimentation et le câble de pontage du transducteur sous le support de cardan. Consultez l'illustration *Assemblée de base portable*.

**Assemblée de base portable**

**3 | Assemblage du plateau de câblage**

Le plateau de câblage est un élément important de l'installation de la tête de commande. Il sécurise les câbles et de les protéger contre les dommages potentiels.

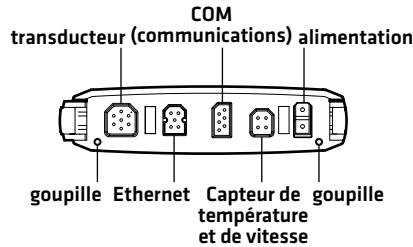
1. Utilisez un tournevis à tête cruciforme pour enlever les vis au bas du plateau de câblage.
2. Tout en maintenant le plateau de câblage, retournez-le de sorte que le côté que le logo Humminbird est orientée vers le haut. Retirez le couvercle et mettez-le de côté. Reportez-vous à l'illustration *Description des logements du plateau de câblage*.
3. Insérez chaque connecteur de câble dans le logement approprié sur le plateau de câblage.

Chaque logement est adapté à la forme du connecteur correspondant, et l'insertion ne devrait poser aucun problème. Acheminez les câbles en vous servant des rainures qui se trouvent dans le plateau.

**Installing the Cables o Installation des câbles sur le socle nto the Base**

**Retrait des vis**


**⚠ MISE EN GARDE!** Il est important de placer les connecteurs dans les bons logements avec le bon côté orienté vers le haut. Reportez-vous à l'illustration *Description des logements du plateau de câblage* pour plus de détails.

**Description des logements du plateau de câblage**

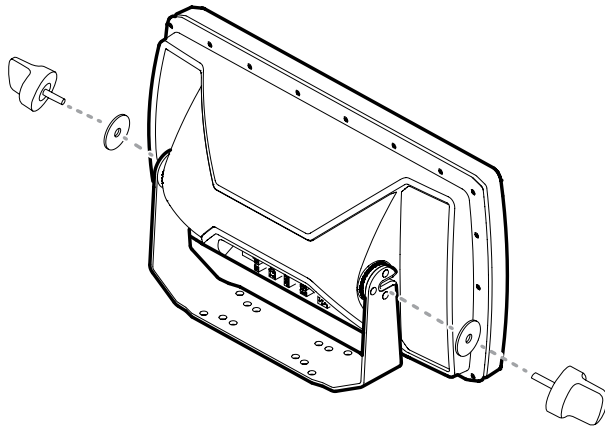


- Placez le couvercle sur le plateau. Tout en maintenant le plateau, retournez-le.  
Si les bras du plateau de câblage tombe, reportez-vous à l'illustration de la section **Assemblage du plateau de câblage** pour les remettre en place.
- Installez les vis dans les trous au bas du plateau. **Serrez les vis à la main seulement.** Reportez-vous à l'illustration **Retrait des vis pour remettre les vis en place.**
- Retournez le plateau de câblage de sorte que le logo Humminbird est orientée vers le haut. Vérifiez les câbles pendent droite, et les détordre si nécessaire.

**4 | Montage de la tête de commande**

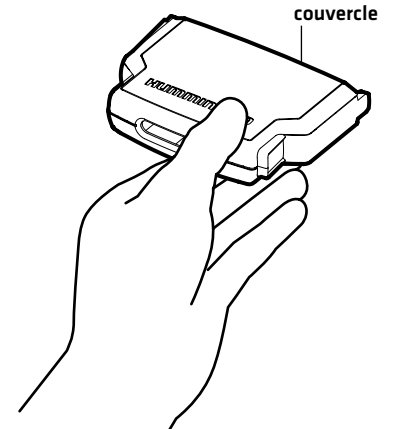
- Placez une rondelle sur chaque molette de cardan.
- Placez les molettes du cardan (avec rondelles) de chaque côté de la tête de commande. Serrez les molettes juste assez pour pouvoir faire glisser la tête de commande dans les bras du support.
- Faites glisser la tête de commande (molettes du cardan installées) dans les bras du support du cardan.

**Assemblage de la tête de commande et du support**

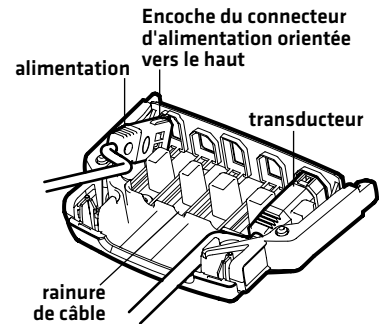


- Alignez les logements sur le plateau de câblage avec les ports correspondants à l'arrière de la tête de commande. Alignez les goupilles du plateau de câblage avec les trous sur la tête de commande [Reportezvous à l'illustration *Description des logements du plateau de câblage*].  
Avec le logo Humminbird orientée vers le haut, rebranchez le plateau de câblage à l'arrière de la tête de commande. Vous devriez entendre un déclic lorsque les fermoires du plateau se met en place.
- Tirez doucement sur le plateau de câblage pour confirmer l'installation est sécurisé. Assurez-vous que les deux fermoires cliqué en place.
- Réglez l'angle de la tête de commande et serrez les molettes du cardan jusqu'à ce que la tête de commande soit solidement maintenue sur le support du cardan. **Serrez la vis à la main seulement!**

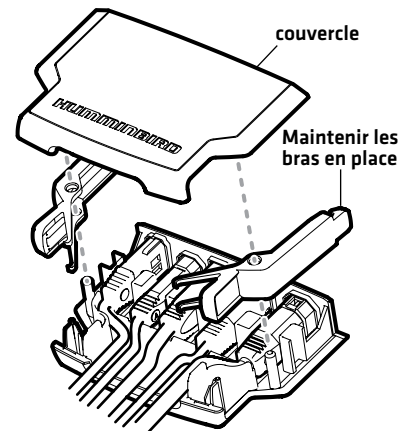
**Mise sur le plateau de câblage**



**Insertion des connecteurs de câbles dans le plateau de câblage**




**Assemblage du plateau de câblage**




## 5 | Installation de la batterie


Avant de procéder à cette procédure, vérifiez que la batterie est chargée [voir *Charger la batterie*].

 **REMARQUE :** Les kits de conversion portables ne comprennent pas de batterie ni de chargeur de batterie.

1. Dégagez les sangles de fixation du logement de la batterie pour que celle-ci soit facile d'accès.


 **REMARQUE :** Pour faciliter l'accès à le logement de la batterie, déplacer les sangles d'arrimage sur le côté et les fixer autour de la poignée.

2. Centrez le coussin d'étanchéité sur le logement de la batterie.
3. Placez la batterie sur le coussin d'étanchéité et poussez la batterie dans le logement de la batterie. Assurez-vous que le câble d'alimentation est bien en place dans son logement afin que la batterie ne repose pas dessus, et du coussin d'étanchéité autour des bords du logement.
4. Faites passer les deux sangles audessus de la batterie et raccordez les deux extrémités de chaque sangle en haut, en veillant à ce que les sangles soient étroitement serrées autour de la batterie et que la batterie soit bien en place dans son logement.


 **REMARQUE :** Ne branchez PAS le câble d'alimentation à la batterie à ce stade. Vous devriez attendre jusqu'au moment de la pêche pour brancher le câble d'alimentation à la batterie.

## 6 | Installation de la transducteur

Suivez les instructions de cette section pour installer le transducteur.

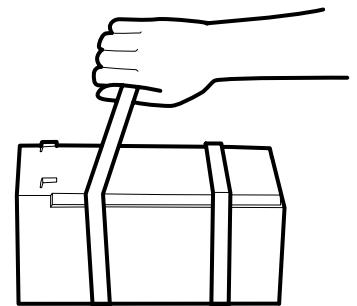
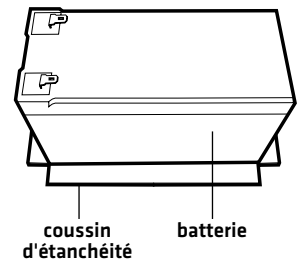
 **AVERTISSEMENT!** Assurez-vous toujours des conditions de sécurité avant de marcher sur la glace.

1. Fixez le transducteur flotteur pour le câble du transducteur en faisant glisser le câble à travers la fente dans le flotteur [voir l'illustration *Fixation du flotteur au câble*].
2. Positionnez le flotteur de façon à submerger le transducteur dans l'eau immédiatement sous la glace.

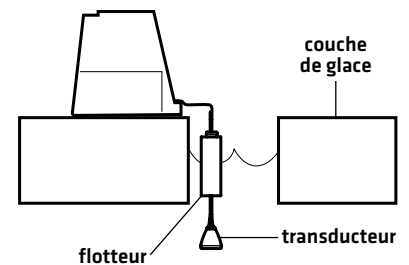
 **REMARQUE :** Le transducteur doit être submergé dans l'eau pour la fiabilité de la détection. La partie inférieure du transducteur doit être à niveau avec le dessous de la couche de glace ou pendre légèrement en dessous du fond de la couche de glace.

3. Après avoir déterminé la position du flotteur, placez le serre-câble sur le câble de transducteur, au-dessus du flotteur. Vérifiez la tension du câble : le transducteur doit pendre à la verticale [voir l'illustration *Fixation de serre-câble*].

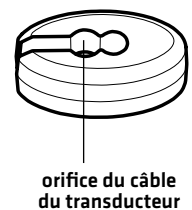
### Installation de la batterie

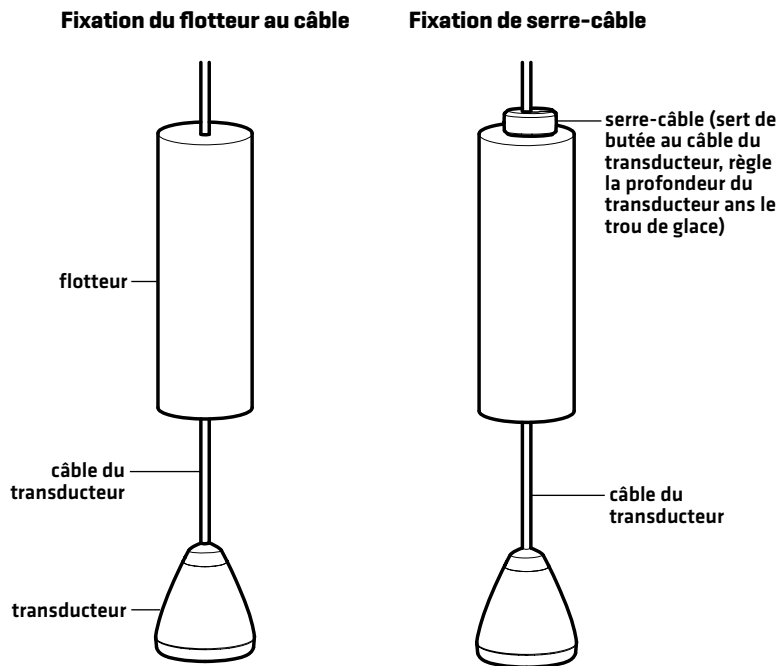


### Positionner le flotteur



### Serre-câble





4. Branchez le câble du transducteur dans le port de démarrage du sac de transport, à gauche de la tête de commande.

## 7 | Puissance de connexion

1. Raccordez la pince à fourche sur le cordon rouge du câble d'alimentation à la borne rouge [+] de la batterie et la pince à fourche sur le cordon noir du câble d'alimentation à la borne noire [-] de la batterie. Assurez-vous que les pinces à fourche sont bien fixées aux bornes.

## 8 | Définition de la fonction Pêche sous glace sur la tête de commande

Suivez les directives suivantes pour commencer à utiliser la tête de commande pour la pêche sous glace. Consultez votre guide d'utilisation de la tête de commande pour les directives d'utilisation.

1. **Mise en marche** : Appuyez sur la touche Mise en marche [POWER].
2. Pendant que l'écran Titre [Title] s'affiche, appuyez sur la touche MENU. Sélectionnez Normal, et appuyez sur la touche curseur DROITE.
3. **Menu principal** : Appuyez deux fois sur la touche MENU. Sélectionnez Sonar.
4. Sélectionnez Pêche sous glace, et Appuyez sur la touche curseur DROITE pour activer le mode de pêche sous glace.
5. Si le transducteur fonctionne correctement, vous verrez le fond en mode d'affichage sonar.


**Confirmez le transducteur branché** : Selon le modèle de votre tête de commande, vous devrez peut-être sélectionner le transducteur branché dans le système de menu. Pour confirmer le transducteur, accédez à : Menu principal > Sonar > Transducteur branché.

## MISE EN PLACE DU TRANSDUCTEUR ICE

Une fois que vous avez terminé d'utiliser votre détecteur de poissons, il est important de ranger le transducteur et d'éteindre l'alimentation.

1. Sortez le transducteur de l'eau et essuyez-le.
2. Calez le flotteur sous la tête de commande.
3. **Puissance Déconnecter** : Débranchez le câble d'alimentation si l'appareil n'est pas utilisé.



 **MISE EN GARDE!** Même si le câble du transducteur est conçu pour supporter les très basses températures, rangez-le correctement pour éviter toute contrainte. Veillez à l'enrouler en liasse, sans coudes.

## CARACTÉRISTIQUES

Alimentation requise ..... Batterie acide-plomb scellée de 12 volts, pour jusqu'à 6 heures de fonctionnement continu


## POUR COMMUNIQUER AVEC HUMMINBIRD


site Web : [humminbird.com](http://humminbird.com)


Courrier électronique : [service@humminbird.com](mailto:service@humminbird.com)

Téléphone : 1-800-633-1468

Adresse d'expédition directe : Humminbird  
Service Department  
678 Humminbird Lane  
Eufaula, AL 36027 USA

 **AVERTISSEMENT!** La réparation et/ou le démontage de cet appareil électronique doit être effectué uniquement par un personnel d'entretien autorisé. Toute modification du numéro de série et/ou réparation par un personnel non autorisé entraînera l'annulation de la garantie.


 **REMARQUE :** Consultez le guide de d'utilisation résumé et le guide d'utilisation de la tête de commande pour en savoir plus sur le fonctionnement.

 **REMARQUE :** Les caractéristiques et spécifications de ce produit peuvent être modifiées sans préavis.

**DÉCLARATION DE CONFORMITÉ AVEC L'ENVIRONNEMENT :** Johnson Outdoors Marine Electronics, Inc. entend agir en de façon responsable, et respecter la réglementation environnementales connues et applicables et la politique de bon voisinage des communautés où elle fabrique et vend ses produits.

**DIRECTIVE DEEE :** La directive EU 2002/96/CE sur les « déchets d'équipements électriques et électroniques [DEEE] » concerne la plupart des distributeurs, vendeurs et fabricants d'équipements électroniques grand public dans l'Union européenne. La directive DEEE requiert que le producteur d'équipements électroniques grand public prenne en charge la gestion des déchets de leurs produits et mettent en oeuvre leur élimination en respectant l'environnement, pendant le cycle de vie du produit.

Il est possible que la conformité à la directive DEEE ne soit pas requise sur le site pour les équipements électriques et électroniques [EEE], ou pour les équipements EEE conçus et destinés à des installations temporaires ou fixes sur les véhicules de transport tels que les automobiles, les aéronefs ou les bateaux. Dans certains pays membres de l'Union européenne, ces véhicules n'entrent pas dans le domaine d'application de la directive, et les EEE pour ces applications peuvent être considérés exclus de la conformité à la directive WEEE.

 Ce symbole [poubelle DEEE] figurant sur le produit indique qu'il ne doit pas être mis au rebut avec les autres déchets ménagers. Il doit être éliminé et recueilli pour le recyclage et la récupération des équipements EEE à mettre au rebut. Johnson Outdoors Marine Electronics, Inc. marque tous les produits EEE conformément à la directive DEEE. Notre but est de respecter les directives sur la collecte, le traitement, la récupération et la mise au rebut de ces produits en respectant l'environnement ; ces exigences varient toutefois d'un état membre à l'autre de l'Union européenne. Pour obtenir d'autres renseignements sur les sites d'élimination des déchets d'équipements en vue de leur recyclage et de leur récupération et/ou sur les exigences des états membres de l'Union européenne, renseignez-vous auprès du distributeur ou du lieu d'achat de votre produit.