



✓ c.c. David C.

## Installation & Wiring Instructions For Drop-In 11080 Horn

### Mounting & Wiring Instructions:

1. Determine the location for installation of the horn. Make sure there is enough depth clearance for the horn and wiring (1-1/2" minimum). **CAUTION:** When selecting the mounting location, choose a surface location that is as flat as possible. A surface with too much curvature may distort the horn and not allow the horn gasket to seal properly.
2. Mark the location for the 2-3/4" diameter opening hole and the pilot holes for the mounting screws (see reference sketch below).
3. Use the hole saw to cut the 2-3/4" diameter hole.
4. Drill the pilot holes for #8 mounting screws with the appropriate size drill bit for the type of boat material you will be drilling into.
5. Install the wiring, 5 Amp fuse and horn button, and pull the wires through the opening in the hull. Make sure to leave some slack in the wires so they are not pulling on the horn. **Note: This horn has no polarity (negative or positive wire can be attached to either horn terminal).** See wire gauge guide for proper size wiring. Always use stranded wire.
6. Attach the protective horn grill (sold separately) over the horn sound unit until it seats firmly in place.
7. Drop the horn into the opening and secure the horn sound unit and grill to the hull with two #8 stainless steel pan head mounting screws.

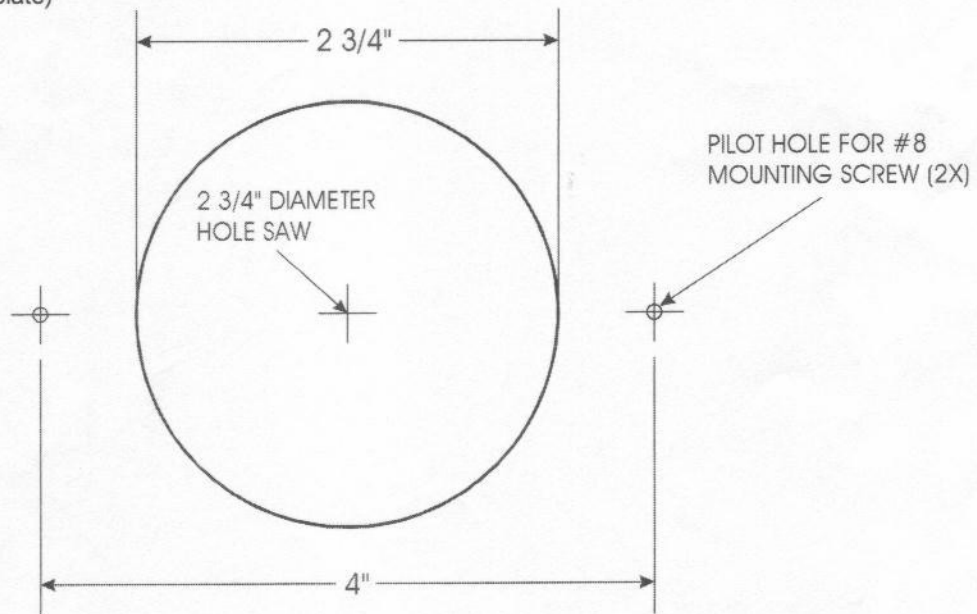
### Recommended wire sizes for 12 volt operation (Wire Gauge Guide)

Wire Length*	Wire Size	Wire Length*	Wire Size
0-50 feet	16 AWG	0-15 meters	1.5 mm
51-80 feet	14 AWG	16-24 meters	1.9 mm
over 80 feet	12 AWG	over 24 meters	2.3 mm

\*As measured from the battery to the horn and back to the battery (round trip).

### Reference sketch:

(do not use as template)



### Equipment Needed:

1. 2-3/4" diameter hole saw.
  2. Two #8 pan head stainless steel mounting screws
  3. Drill with drill bit appropriate for the mounting screws & boat material.
- Internal Space Requirements: 2-3/4"H x 2-3/4"W x 1-1/2"D.