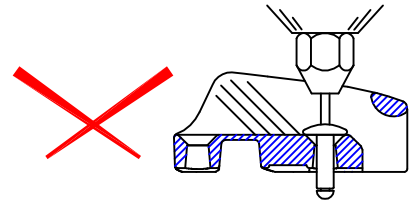
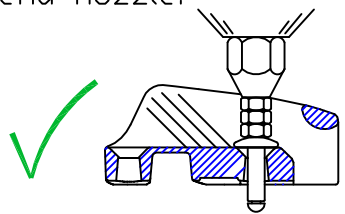


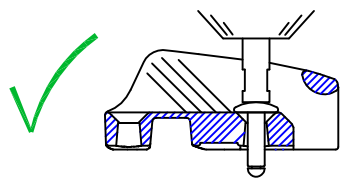
Standard rivet gun nozzles do not fit inside cleat.



Use 2 or 3 nuts to extend nozzle.

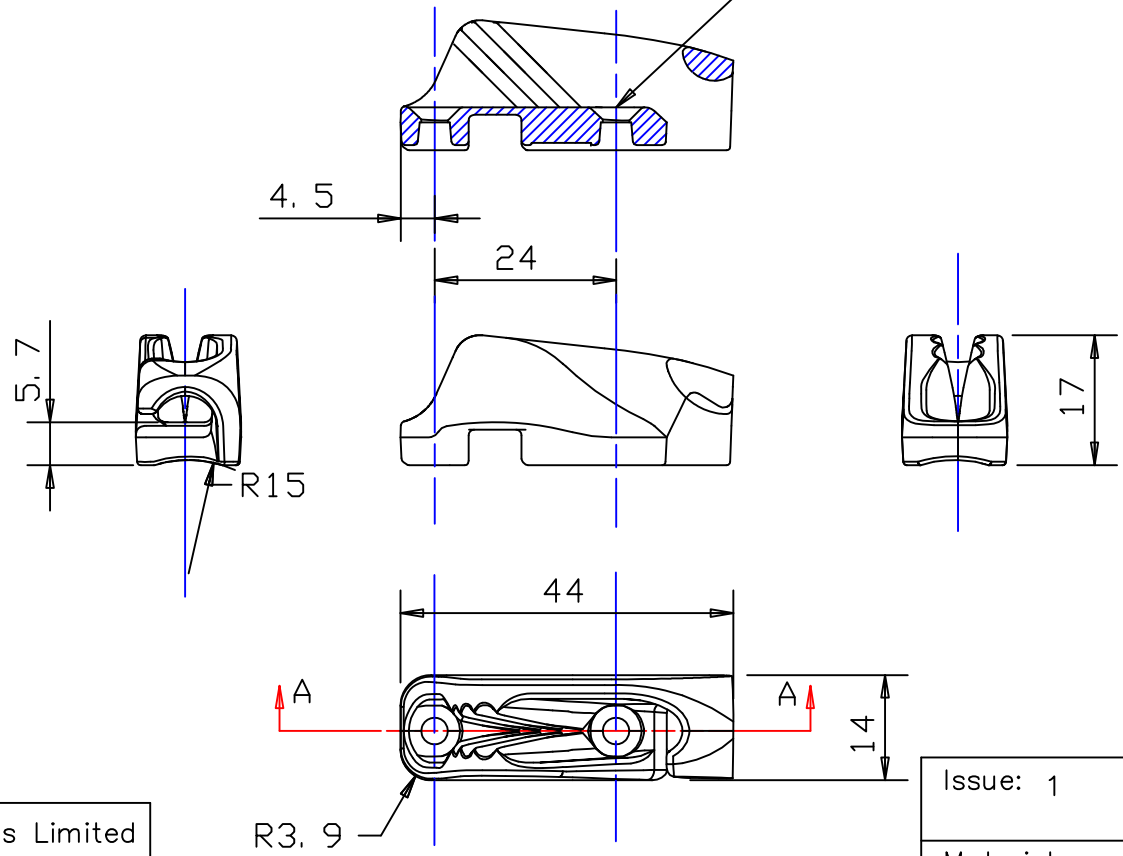


Extended nozzle is best Consult rivet gun supplier.



2 Holes 3.5dia  
Countersunk 7.5dia x 90deg

Section A-A



**Clamcleat®**  
Rope cleats

Clamcleats Limited  
Watchmead  
Welwyn Garden City  
Hertfordshire AL7 1AP  
England  
Telephone +44 (0)1707 330101  
Fax +44 (0)1707 321269  
Email sales@clamcleat.com  
www.clamcleat.com

Scale 1:1  
All dimensions in mm.

Issue: 1 Dec 2008  
ID277.dwg

Material:  
Diecast Aluminium

Installation Drawing for:-

**CL277**  
Racing Micros