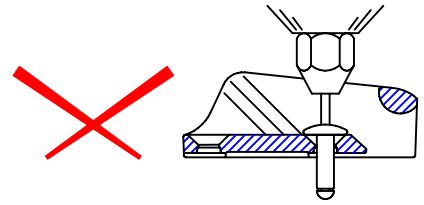
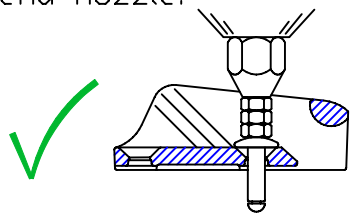


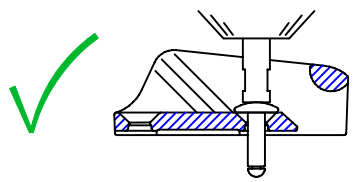
Standard rivet gun nozzles do not fit inside cleat.



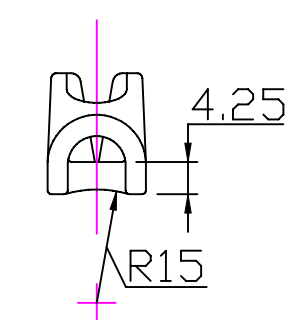
Use 2 or 3 nuts to extend nozzle.



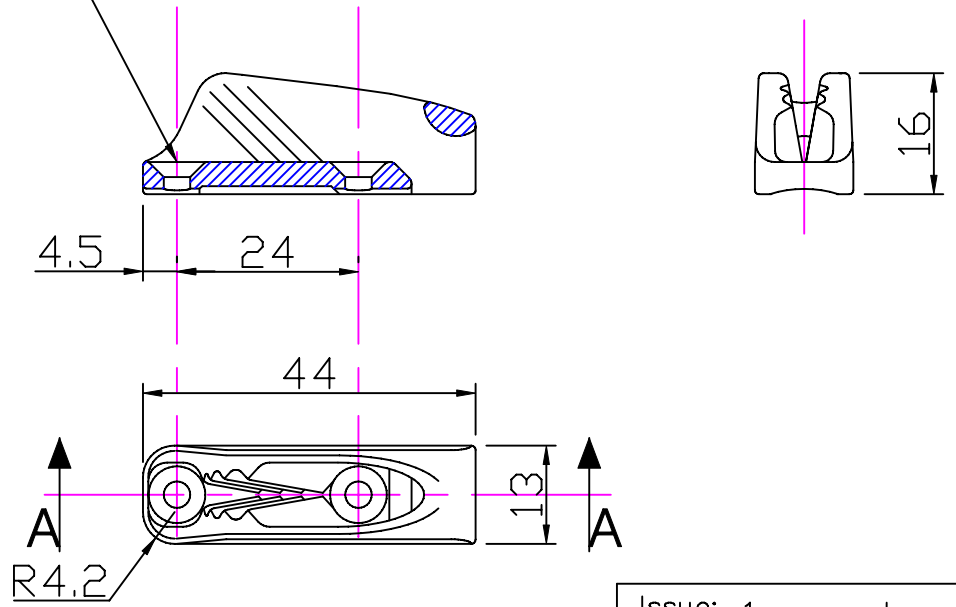
Extended nozzle is best Consult rivet gun supplier.



2 Holes $\phi 3.5$
countersunk $\phi 7.5 \times 90^\circ$



Section 'AA'



Clamcleat®
Rope cleats

Clamcleats Limited
Watchmead
Welwyn Garden City
Hertfordshire AL7 1AP
England

Telephone +44 (0)1707 330101
Fax +44 (0)1707 321269
<http://www.clamcleat-rope-cleats.com>

Scale 1:1
All dimensions in mm.

Issue: 1	June 2006
ID268.dwg	
Material: Diecast Aluminium	
Installation Drawing for:-	
CL268	
Racing Micros	