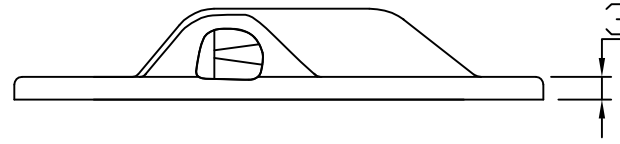


M4 4/4.2mm  $\phi$ 3-6mm  
 #8 (5/32") No.8 1/8"-1/4"

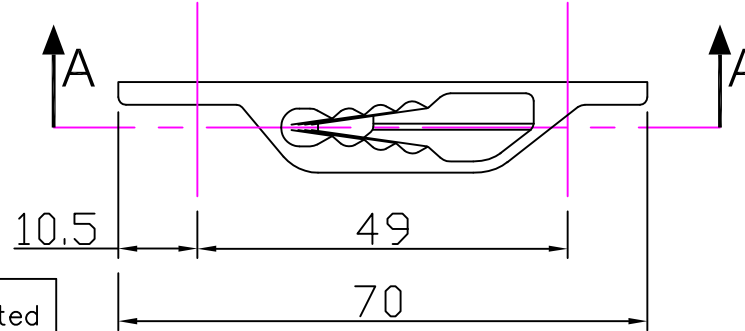
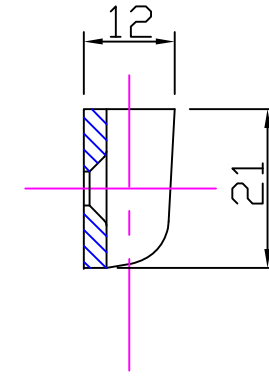
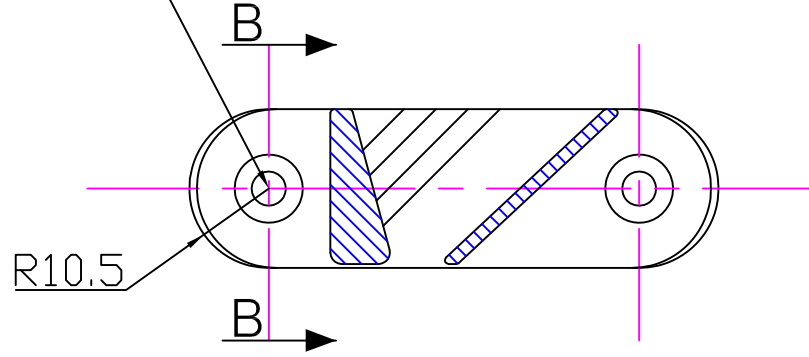


Notes: -  
 For marine applications, use a silicone sealant or a bedding compound to avoid electrolytic action between the cleat and metal fastenings.

2 Holes  $\phi$ 4.8  
 countersunk  $\phi$ 9.0x90°

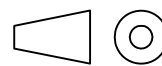
Section 'AA'

Section 'BB'



**Clamcleat®**  
 Rope cleats

Clamcleats Limited  
 Watchmead  
 Welwyn Garden City  
 Hertfordshire AL7 1AP  
 England  
 Telephone +44 (0)1707 330101  
 Fax +44 (0)1707 321269  
 Email sales@clamcleat.com  
 www.clamcleat.com



Scale 1:1  
 All dimensions in mm.

Issue: 3 Jan 2009  
 ID241.dwg

Material:  
 Diecast Aluminium

Installation Drawing for:-

**CL241**

Racing Sail Line Cleat