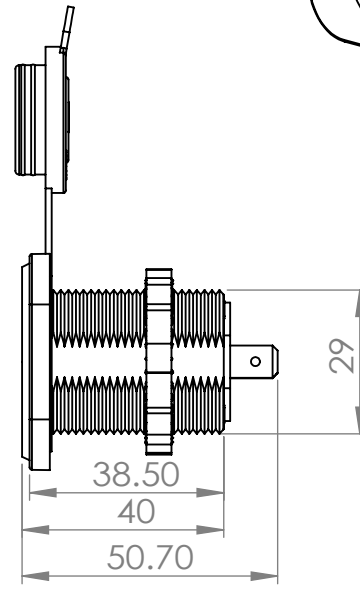


2 x  $\phi$  4.50  $\nabla$  7  
 $\checkmark$   $\phi$  8.43 X 100°



### Features:

- Flush mount with Flat Panel and Screw Nut
- Flame retardant Nylon (glass fiber reinforced) enclosure
- Twist-and-Lock capability when used with AP121
- 0.250" Quick Connect Terminals
- Rating: DC 9-36V 20A

Modify	Date	Revision	Approval	No.	Item#	Part#	Rev.	0
					Title	AUTO-SOCKET	Unit	m/m
					Mat'l	Finish	Ratio	1:1.5
Size	0.5-6	>6-30	>30-120	>120-400	Auth	CHK MATT	Date	2016.11.04
Tol	+/-0.05	+/-0.1	+/-0.15	+/-0.2			Proj.	3rd