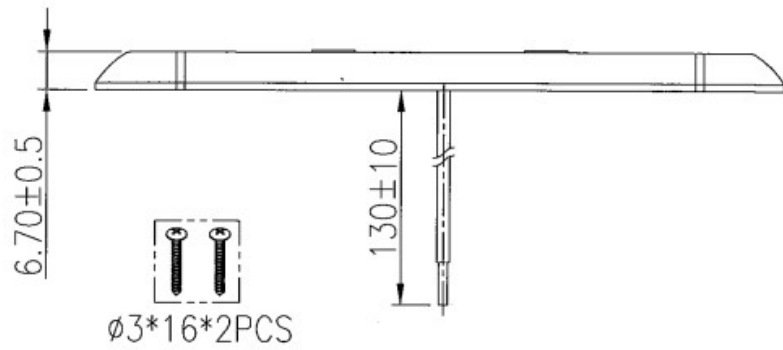
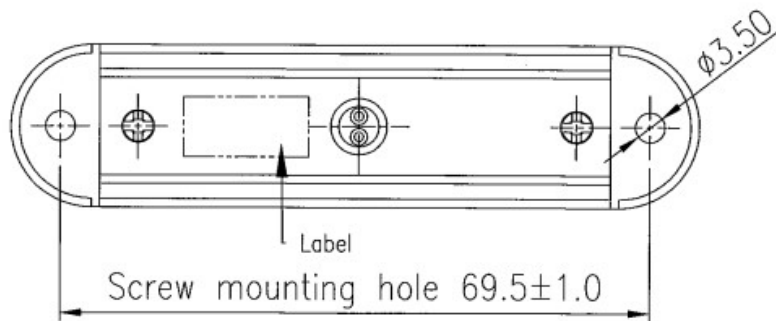
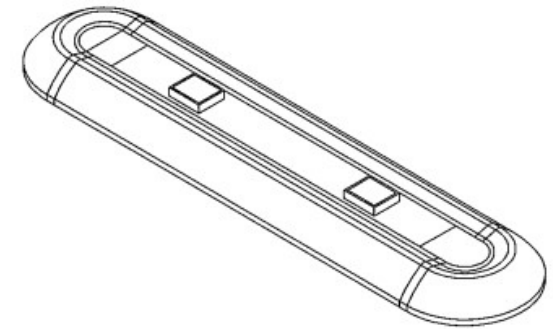
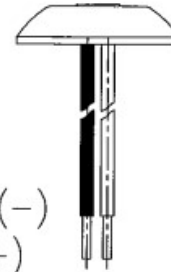


Rating	12V DC / 0.6W
Insulation Resistance	DC500V 100MΩ Min
Dielectric Strength	AC 500V 1 minutes
Operating Temperature	-20°C~+60°C
Lamp Life Cycle	6000 hrs
LED Type	0.5W LED(3800~4500K)x2PCS
CCT	4000K±20%.
Max Illuminance	40Lux±20%/50cm.
Luminous Flux	41 lm±20%.
Protection of Dust and Water	IP67
Beam angle	1 120°



Black Wire (-)  
Red Wire (+)



Material:  
Housing: Aluminum.  
Top cover: ABS, White.  
Side cover: ABS, White.