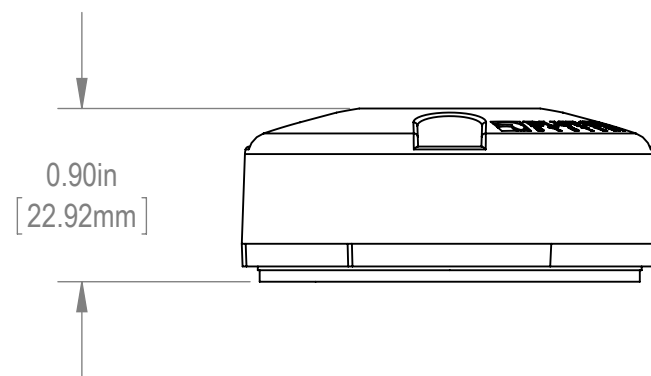
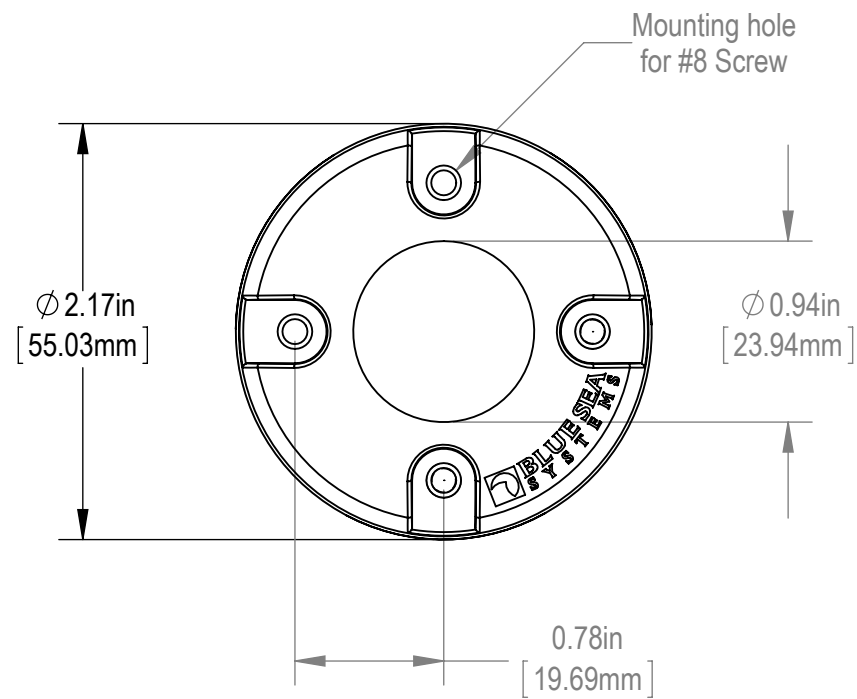


THIS DRAWING AND THE INFORMATION CONTAINED WITHIN IT ARE CONFIDENTIAL AND MAY NOT BE COPIED OR DISCLOSED WITHOUT THE WRITTEN PERMISSION OF BLUE SEA SYSTEMS.

REVISIONS

ZONE	REV.	DESCRIPTION	DATE	APPROVED
-	-	-	-	-



THIRD ANGLE PROJECTION



DIMENSIONS ARE SHOWN IN INCHES AND (MILLIMETERS). UNSPECIFIED TOLERANCES ARE:

ANGLES	INCH	MM
$\pm 0^{\circ}30'$.0000 \pm .002	.000 \pm .051
	.000 \pm .005	.00 \pm .127
	.00 \pm .010	.0 \pm .254

MATERIAL --

FINISH --

DO NOT SCALE DRAWING

	NAME	DATE
DRAWN	-	-
CHECKED	-	-
	-	-
	-	-
	-	-
	-	-

COMMENTS:

BLUE SEA SYSTEMS

425 Sequoia Drive Bellingham, WA 98226
Phone (360)738-8230 Fax (360)734-4195

Part Number ----

SIZE **B** DWG. NO. 1002-1 CableClam .825 Inch REV. **A**

SCALE 1:1 WEIGHT: POUNDS SHEET 2 OF 8